

# DORMA PURE®

Frameless sliding glass wall systems

## Installation instructions

925964 – 07-2021

| EN |

dormakaba 

# Table of contents

<b>1</b>	<b>Technical specifications</b>	<b>3</b>		
1.1	Overview	3		
1.1.1	General information	3		
1.1.2	Intended use	3		
1.1.3	Glass requirements/fittings/mounting	3		
1.1.4	Requirements for glass panel	3		
1.1.5	Safety instructions	3		
1.1.6	Symbols used - Safety/Installation	3		
1.1.7	Maintenance, care, repair	3		
1.1.8	Disposal	3		
1.2	Overall view	4		
1.3	Tempered laminate glass (TLG) and adhesive specifications	4		
1.4	Wall mount dimensions	5		
1.5	Ceiling mount dimensions	5		
1.6	Sidelite mount dimensions	6		
1.7	Glass mount dimensions	6		
<b>2</b>	<b>Installation instructions</b>	<b>7</b>		
2.1	Option 1 - Wall Mount	7		
2.2	Option 2 - Ceiling Mount Without Sidelite	7		
2.3	Option 3 - Ceiling Mount with Sidelite	8		
2.4	Option 4 - Glass Mount - prepare the door	9		
2.5	Option 4 - Glass Mount (continued) - prepare the track	10		
2.6	Option 4 - Glass Mount (continued) - securing glass clamp and track	10		
2.7A	Wall/Ceiling/Sidelite/Glass Mount - installing roller carriers: on monolithic glass	11		
2.7B	Wall/Ceiling/Sidelite/Glass Mount - installing the roller carriers: on tempered laminate glass	12		
2.8	Wall/Ceiling/Sidelite/Glass Mount - install Dormotion start/stop	13		
2.9	Wall/Ceiling/Sidelite/Glass Mount - disengaging the anti-jump	13		
2.10	Wall/Ceiling/Sidelite/Glass Mount - installing the end stops	14		
2.11	Sidelite Mount - installing u-channel	14		
2.12	Sidelite Mount - installing sidelite glass	15		
2.13	Sidelite Mount - installing sidelite glass filler panel	15		
2.14	Sidelite Mount - installing sidelite glass gasket	16		
2.15	Wall/Ceiling/Sidelite/Glass Mount - install glass/rollers in track	16		
2.16	Wall/Ceiling/Sidelite/Glass Mounts - install floor guide	17		
2.17	Wall/Ceiling/Sidelite/Glass Mounts - install floor guide: continued	17		
2.18	Wall/Ceiling/Sidelite/Glass Mounts - Engaging the anti-jump	18		
2.19	Wall/Ceiling/Sidelite/Glass Mounts - adjustment door height	18		
2.20	Wall/Ceiling/Sidelite/Glass Mounts - install DORMOTION unit	20		
2.21	Wall/Ceiling/Sidelite/Glass Mounts - adjust start/stop pin height (if necessary)	21		
2.22	Wall/Ceiling/Sidelite/Glass Mounts - install cover clips	22		
2.23	Wall/Ceiling/Sidelite/Glass Mount - install brush profile	22		
2.24	Sidelite Mounts - install view protection clips	23		
2.25	Wall/Ceiling/Sidelite/Glass Mounts - install cover and view protection profile	24		
2.26	Wall/Ceiling/Sidelite/Glass Mounts - install end caps	25		
2.27				

# 1 Technical specifications

## 1.1 Overview

These instructions are for installation of the DORMA PURE® Frameless Sliding Glass Wall Systems for the following mounting and style versions:

1. Wall mounting
2. Ceiling mounting (with/without sidelites)
3. Glass mounting

### 1.1.1 General information

- dormakaba requires use of tempered laminated or tempered monolithic glass.
- dormakaba glass hardware is not suitable for harsh environment; for example, applications where chemicals (e.g. chlorine) are used such as indoor swimming pools, saunas, or salt-water pools.
- Do not swing doors with excessive force. Install limiting stop to prevent door from opening too far.

### 1.1.2 Intended use

- For pivoting doors in indoor or covered areas only.
- For manual slowly opening and closing only.

### 1.1.3 Glass requirements/fittings/mounting

- The substructure/wall must be able to bear permanent loads, be level (max. tolerance: 1/16" [2] per 39" [1m]).
- Fasteners must be sufficiently dimensioned for the substructure/wall and weight of the door.
- When adjusting glass elements, always stick to the required clearance for the respective hardware. Adjust clearance so glass does not come in contact with any hard surfaces such as glass, metal or concrete.
- Do not use excessive force when installing the glass (avoid over tightening screws.)

### 1.1.4 Requirements for glass panel

- dormakaba requires use of fully tempered glass, which complies with ASTM C 1036 and ASTM C 1048. Secondary heat soaking processes are optional but not required.
- Clamping area must be flat and uncoated (no self-cleaning coating!)
- Never use glass with conchoidal fractures and/or damaged edges.

### 1.1.5 Safety instructions

- Installation requires two people.
- Always wear protective clothing.
- Only properly qualified and specially trained staff are authorized to mount dormakaba glass hardware.

- Due to crushing hazards and possible injury caused by breakage of glass during mounting, corresponding protective clothing (especially gloves and protective goggles) is required.
- Never clamp metal fitting hardware directly to glass surface.
- Never use clamping products on surfaces with self-cleaning coatings.

### 1.1.6 Symbols used - Safety/Installation



#### CAUTION

Mounting components must meet the requirements of substructure/wall and door weight. Please read the technical information for fittings.



#### WARNING

Risk of breaking glass. When installing the door, support the door panel with a block of wood or similar object.



#### TIPS AND RECOMMENDATIONS

Information note



#### CLOSING EDGE OF DOOR

### 1.1.7 Maintenance, care, repair

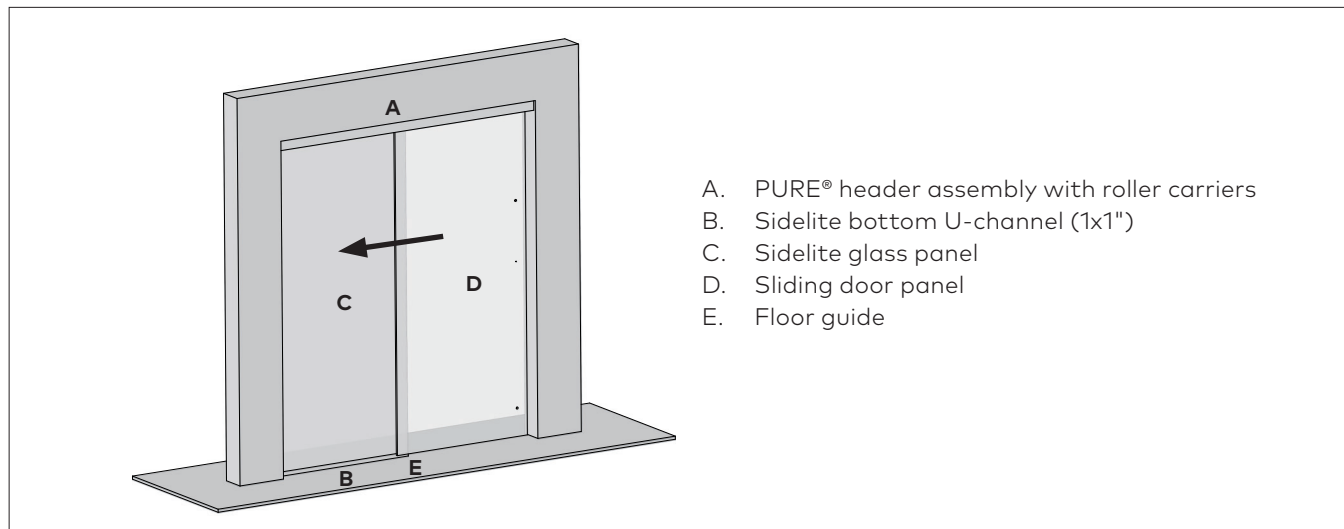
- Immediately replace damaged parts.
- Always use original dormakaba parts.
- Clean clamping area with alcohol-based standard commercial cleaning agent before mounting the glass hardware.
- Use a damp cloth for occasional cleaning.
- Always use silicone - and oil-free cleaners (e.g. acetone).
- Check glass hardware at regular intervals for proper positioning, smooth operation and correct adjustment.
- High traffic door systems require inspection by properly qualified staff (specialized companies or installation firms.)
- Function of fittings is recommended to be inspected every 500,000 movements by a specialist.

### 1.1.8 Disposal

Disposal in accordance with local, state and national regulations.

## 1.2 Overall view

Fig. 1



## 1.3 Tempered laminate glass (TLG) and adhesive specifications

Fig. 2

Required parts for laminate glass with MUTO System (not included)	Part Number	Quantity	Usage recommendation
3M™ Scotch-Weld™ Urethane Adhesive, DP 605 NS	934.800	1 tube	1 tube per 4 roller carriers
3M™ Scotch-Weld™ EPX™ Plus II Applicator with 1:1 Plunger <sup>2</sup>	934.801	1 applicator	
3M™ Scotch-Weld™ EPX™ Plus II Mixing Square Nozzle, 5.3mm <sup>3</sup>	934.805	(pk of 4)	4 nozzle per 1 tube of adhesive
Laminated glass components	807.640	1 set	
Handling time frame	Function	Time	
	Working life ( <i>time between application and clamping of carrier</i> )	5 minutes @ 75°F	
	Handling strength	20 minutes @ 73°F or more	
	Full cure time ( <i>time until glass may be completely installed into door</i> )	48 hours @ 73°F or more	

**NOTE: Door glass should not be installed until the full cure time as been reached (see chart above).**

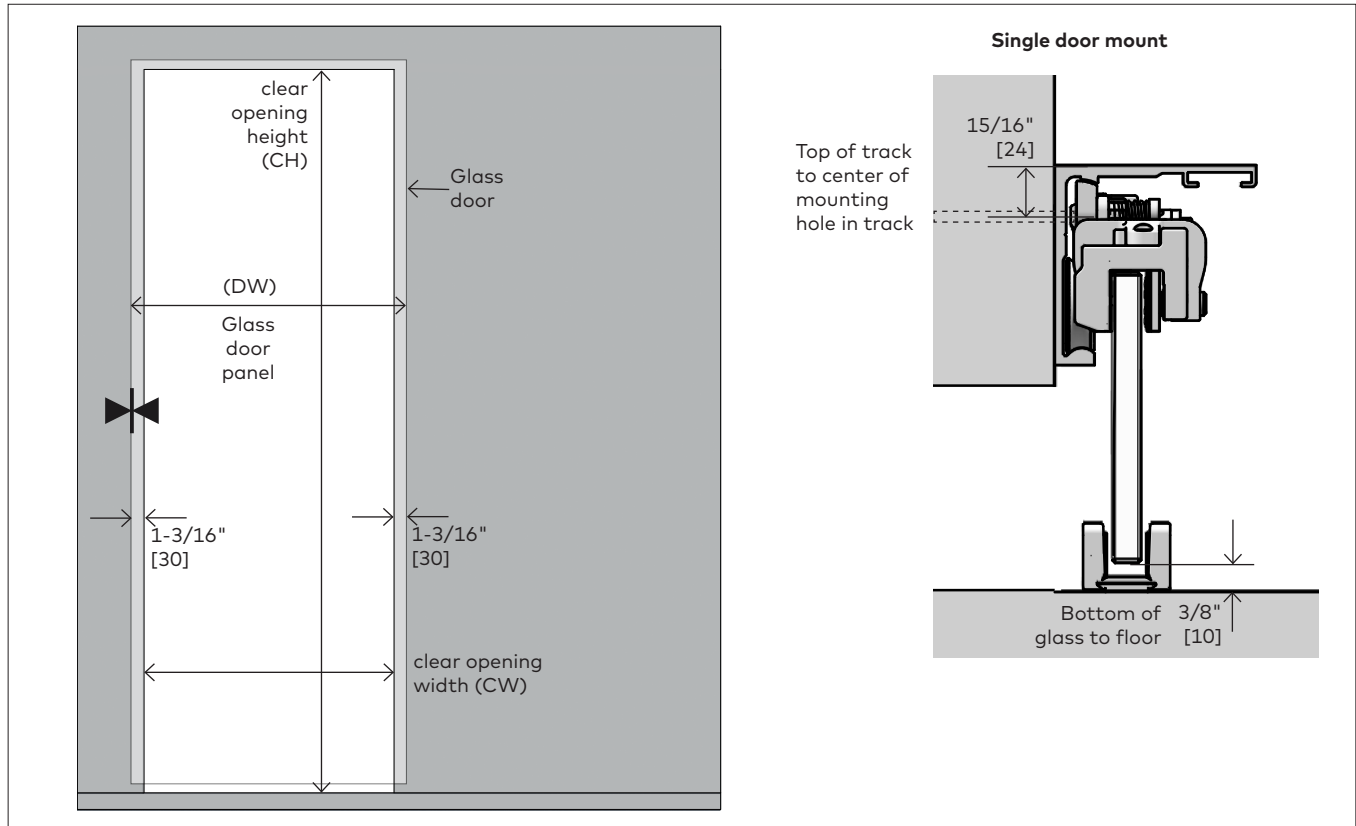
1.1 Clean clamping area with alcohol-based standard commercial cleaning agent before mounting the glass hardware.

1.2 Never clamp metal fitting hardware directly to glass surface.

1.3 Never use clamping product on surfaces with self-cleaning coatings.

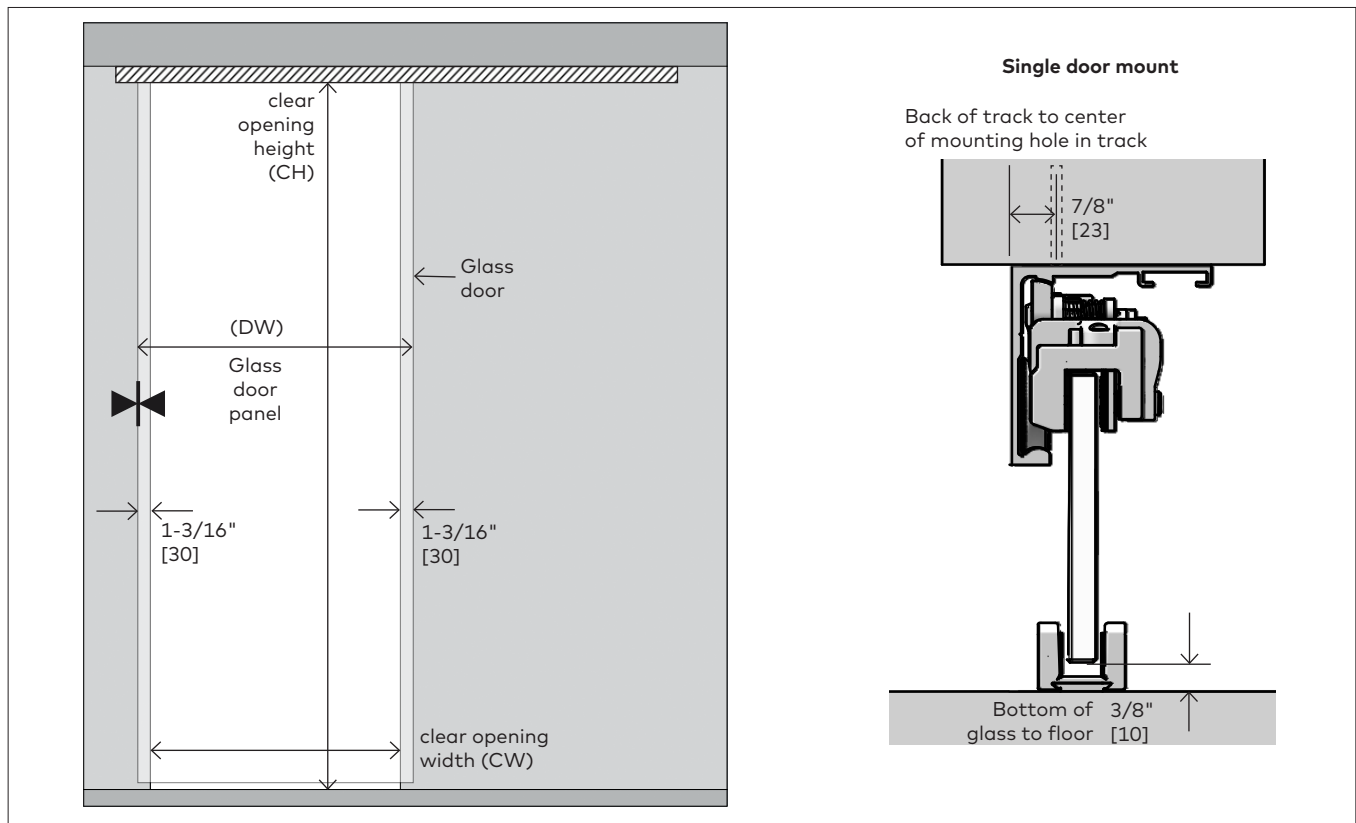
## 1.4 Wall mount dimensions

Fig. 3



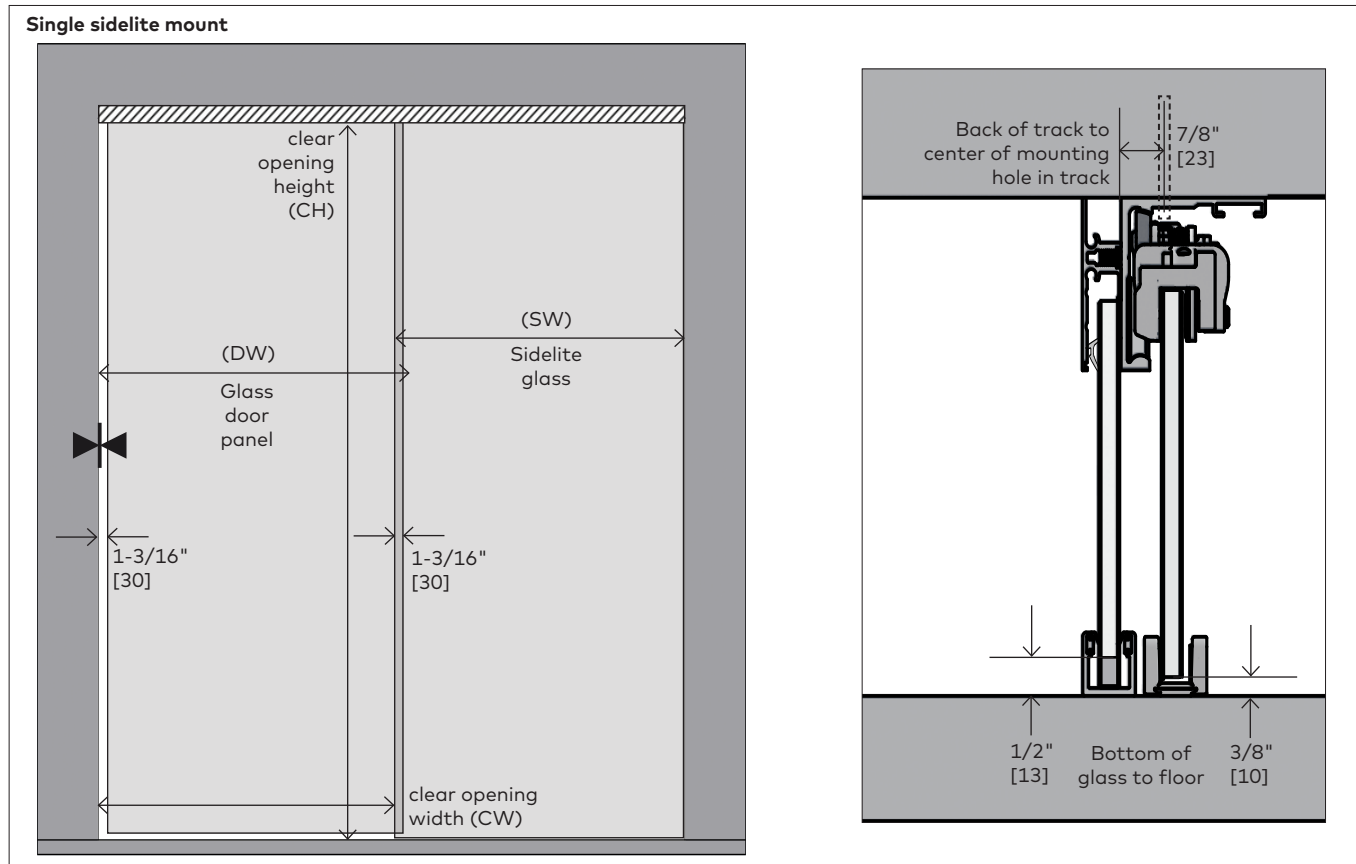
## 1.5 Ceiling mount dimensions

Fig. 4



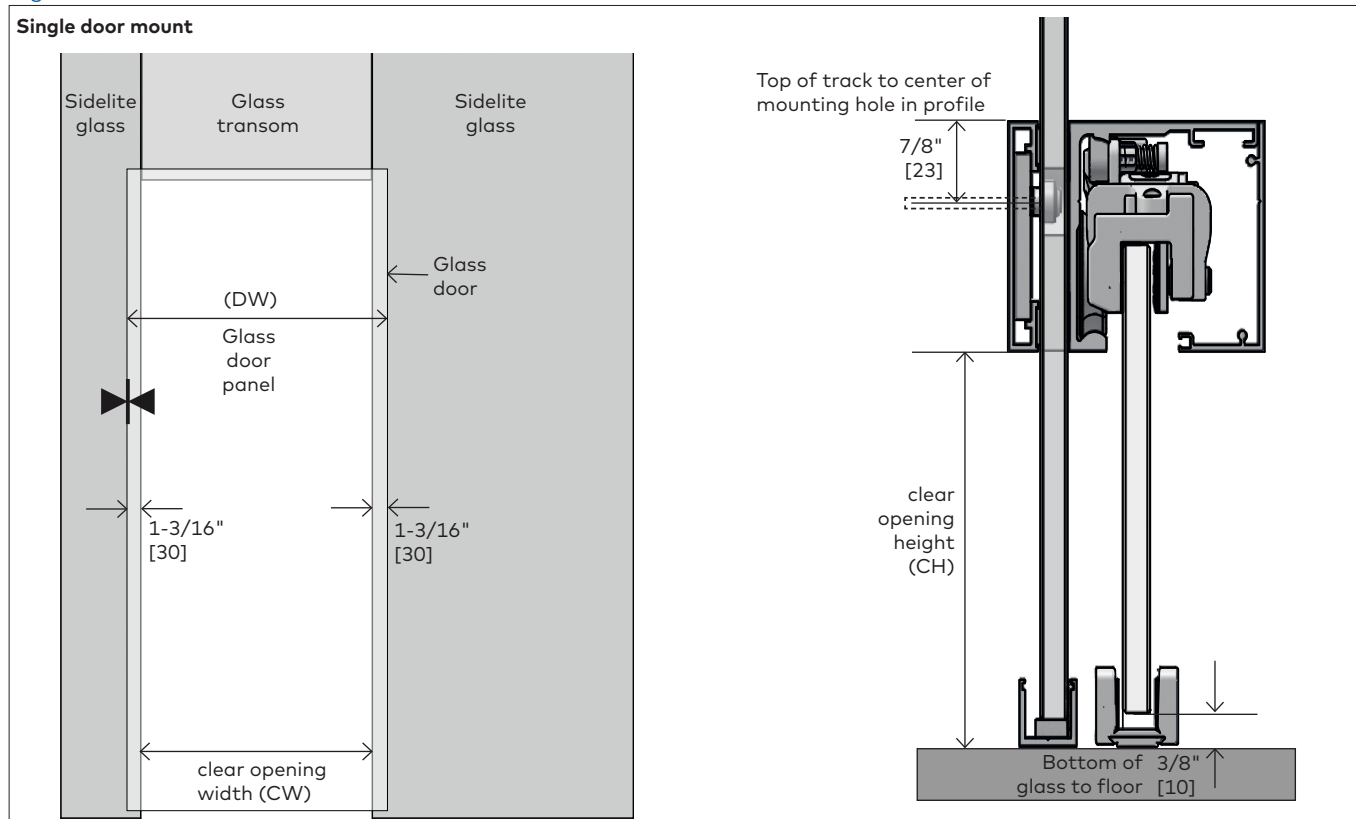
## 1.6 Sidelite mount dimensions

Fig. 5



## 1.7 Glass mount dimensions

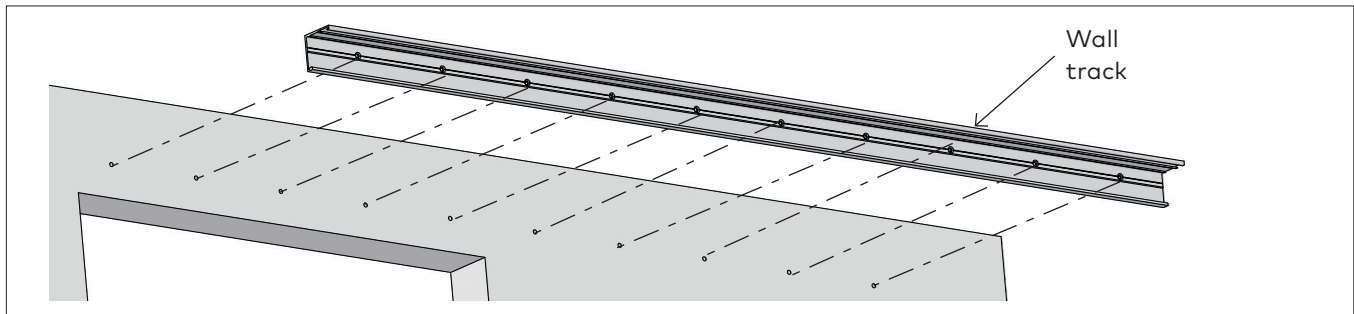
Fig. 6



## 2 Installation instructions

### 2.1 Option 1 - Wall Mount

Fig. 7



2.1.1 Ensure the track is level and secure it to the wall per the appropriate measurements in step 1.4.

**NOTE: SEE DIMENSION INSTRUCTIONS ON NEXT PAGE FOR REFERENCE.**

**NOTE:**

**WALL REINFORCEMENT:**

The wall reinforcement must be a minimum of ¼" (6mm) x 3" (76mm) steel angle, 16 gauge metal stud, or 1 1/2" (38mm) thick wood blocking secured to the wall studs on a maximum 16" (406mm) centers for the length of the track. The wall reinforcement may be flush on the wall surface or on the interior of the wall. For masonry walls the track may be secured directly to the wall with lead anchors.

2.1.2 Use appropriate fasteners according to the following recommendations.

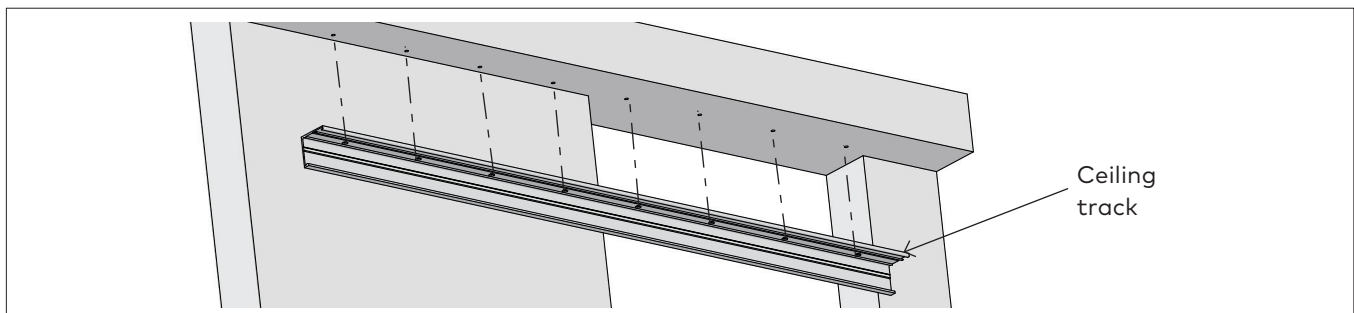
**NOTE: Ensure screw head is flush with track.**

Track mounting screws must fully penetrate the steel angle, metal stud, or wood blocking, utilizing the predrilled holes in the MUTO track.

Consult with a structural engineer to determine if reinforcement is adequate for your specific application or to meet specific codes in your location.

### 2.2 Option 2 - Ceiling Mount Without Sidelite

Fig. 8



2.2.1 Ensure the track is level and secure it to the ceiling per the appropriate measurements in step 1.5.

**NOTE: SEE DIMENSION INSTRUCTIONS ON NEXT PAGE FOR REFERENCE.**

**NOTE:**

**CEILING REINFORCEMENT:**

The wall reinforcement must be a minimum of ¼" (6mm) x 3" (76mm) steel angle, 16 gauge metal stud, or 1-1/2" (38mm) thick wood blocking secured to the wall studs on a maximum 16" (406mm) centers for the length of the track. The wall reinforcement may be flush on the wall surface or on the interior of the wall. For masonry walls the track may be secured directly to the wall with lead anchors.

2.2.2 Use appropriate fasteners according to the following recommendations.

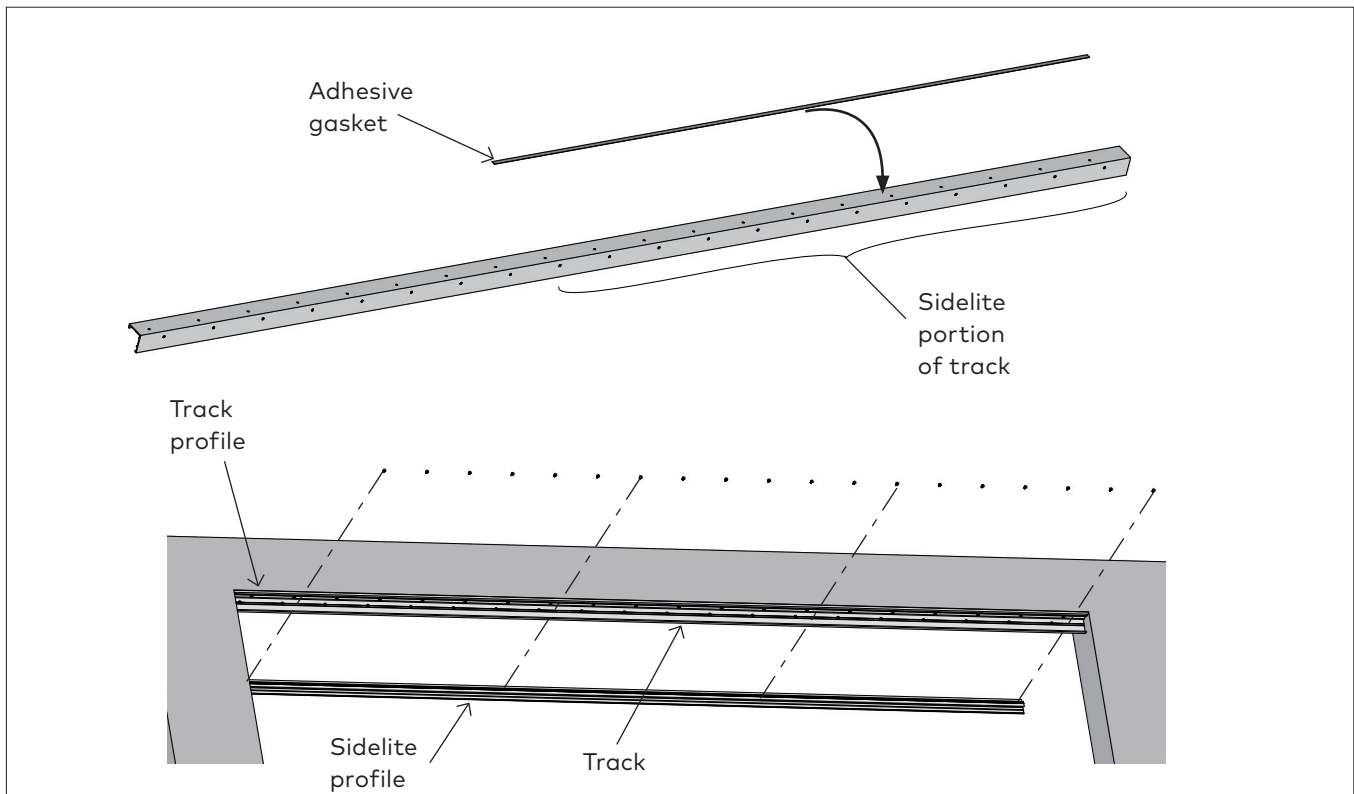
**NOTE: Ensure screw head is flush with track.**

Track mounting screws must fully penetrate the steel angle, metal stud, or wood blocking, utilizing the predrilled holes in the MUTO track.

Consult with a structural engineer to determine if reinforcement is adequate for your specific application or to meet specific codes in your location.

## 2.3 Option 3 - Ceiling Mount with Sidelite

Fig. 9



### Secure gasket to track:

- 2.3.1 Determine handing of door.
- 2.3.2 Ensure the track is cut to proper length.
- 2.3.3 Cut adhesive gasket equal to sidelite glass width.
- 2.3.4 Adhere gasket along bottom edge of back of track.

### Secure sidelite profile and track to mounting surface:

- 2.3.5 Secure track to mounting surface.
- 2.3.6 Align predrilled holes in sidelite profile with track profile.

NOTE: Holes will be predrilled every 7-7/8" [200mm].

- 2.3.7 Secure with proper fasteners.

NOTE: Be sure fasteners are flush with track to avoid rollers catching protruding fasteners.

### NOTE:

#### OVERHEAD REINFORCEMENT:

The wall reinforcement must be a minimum of 1/4" (6mm) x 3" (76mm) steel angle, 16 gauge metal stud, or 1-1/2" (38mm) thick wood blocking secured to the wall studs on a maximum 16" (406mm) centers for the length of the track. The wall reinforcement may be flush on the wall surface or on the interior of the wall. For masonry walls the track may be secured directly to the wall with lead anchors.

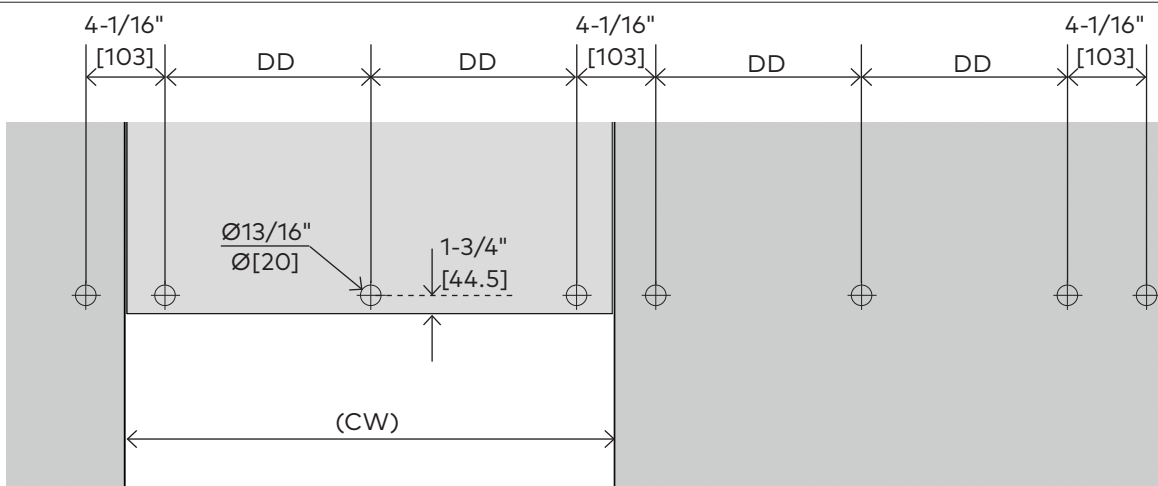
Track mounting screws must fully penetrate the steel angle, metal stud, or wood blocking, utilizing the predrilled holes in the MUTO track.

Consult with a structural engineer to determine if reinforcement is adequate for your specific application or to meet specific codes in your location.



## 2.4 Option 4 - Glass Mount - prepare the door

Fig. 10



- 1.1 Use the equation at the right to determine the 'drilling distance' [DD] between each hole.

$$DD = (CW - 106) \div T = \text{--- mm}$$

$$DD = (CW - 4-3/16") \div T = \text{--- "}$$

- 1.2 First find the measured 'clear opening width' [CW] on the chart at the right.
- 1.3 Determine 'T' for the equation.
- 1.4 Insert appropriate values into equation and calculate accordingly.

Clear opening width	T	Z
CW ≥ 23-5/8" [600] ≤ 31-1/2" [800]	2	8
CW > 31-1/2" [800] ≤ 39-3/8" [1000]	3	10
CW > 39-3/8" [1000] ≤ 47-1/4" [1200]	4	12
CW > 47-1/4" [1200] ≤ 59-5/8" [1388]	5	14

**SEE LEGEND BELOW FOR REFERENCE.**

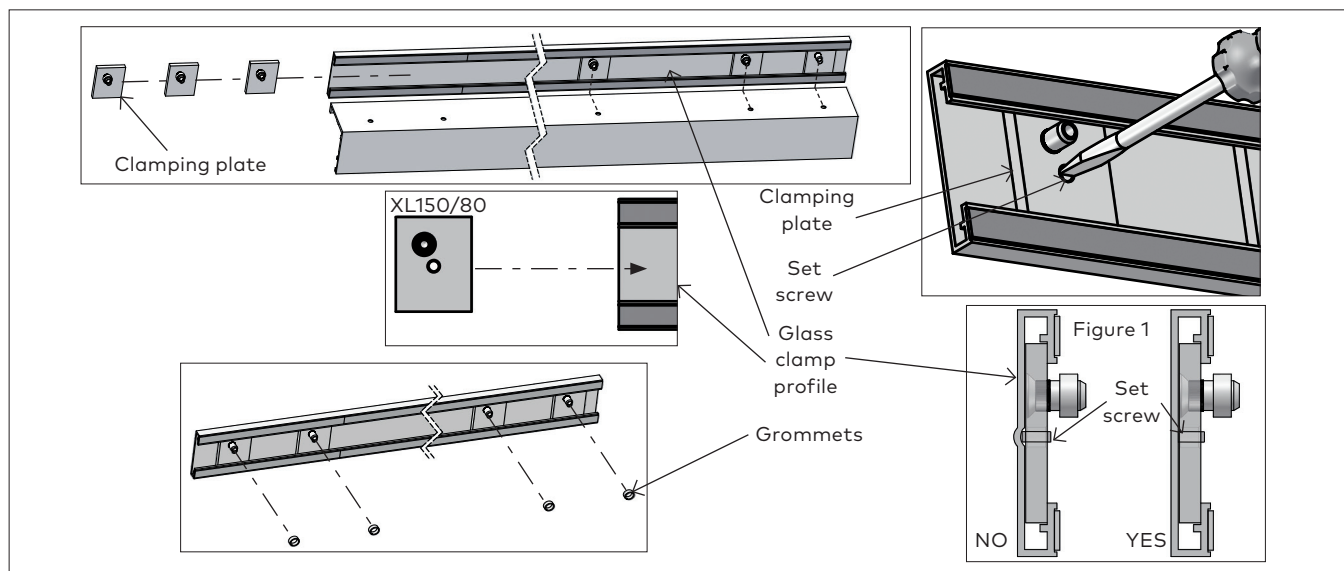
LEGEND	
Abbreviation	Description
CW	Clear opening width
DD	Drilling distance
T	Division variable
QTP	Qty of hole preps

	XL 150 DM	XL 80 DM
Min. door width	40-1/8" [1020]	31-7/8" [810]
Min. clear opening width	37-13/16" [960]	29-1/2" [750]
Max. door width	57" [1448]	57" [1448]
Max. clear opening width	54-3/4" [1390]	54-3/4" [1390]

**CONTINUED ON NEXT PAGE**

## 2.5 Option 4 - Glass Mount (continued) - prepare the track

Fig. 11



2.5.1 Slide clamping plates into end of glass clamp profile.

**NOTE:** Quantity dependent upon number of holes in track.

2.5.2 Orient plates properly as shown above.

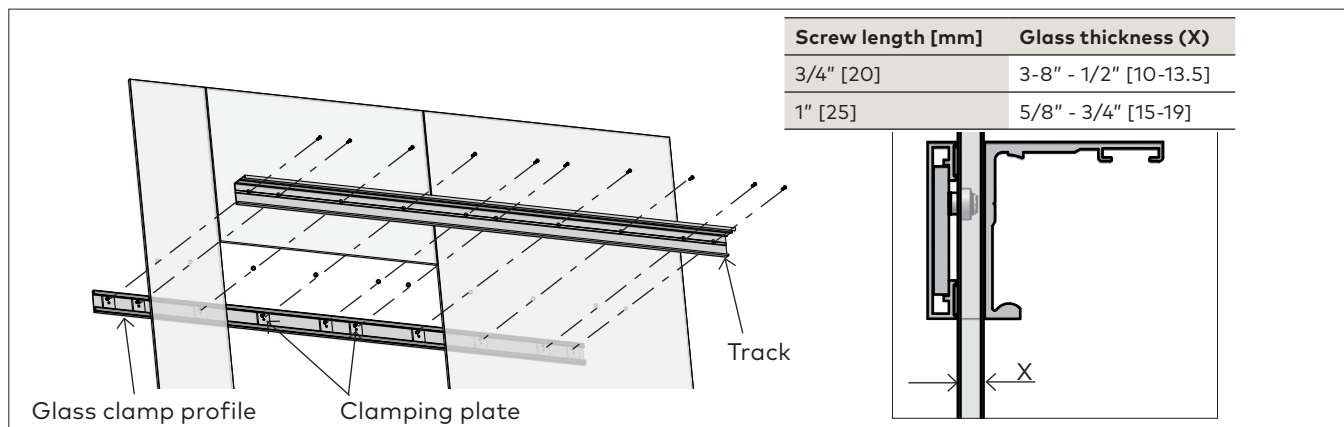
2.5.3 Secure via set screw.

**NOTE:** Be sure set screw does not indent back of glass clamp profile. See Figure 1 for reference.

2.5.4 Secure grommets to each clamping plate peg.

## 2.6 Option 4 - Glass Mount (continued) - securing glass clamp and track

Fig. 12



2.6.1 Ensure the track is level.

2.6.2 Align glass clamp profile clamping plates and track through glass mounting surface.


2.6.3 Secure with proper fasteners per chart above.

**NOTE:** SEE DIMENSION INSTRUCTIONS ON PRIOR PAGE FOR REFERENCE.

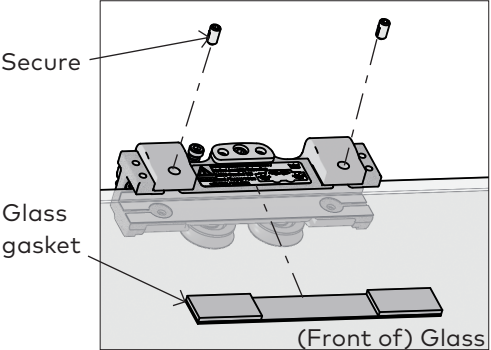
## 2.7A Wall/Ceiling/Sidelite/Glass Mount - installing roller carriers: on monolithic glass

Fig. 13

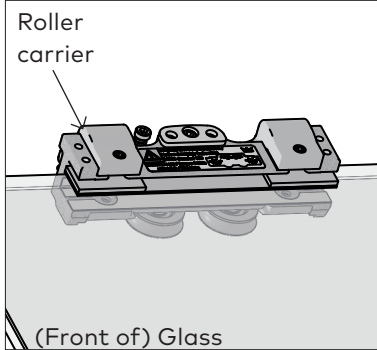
**⚠ DETERMINE THE LEADING (X) VERSUS TRAILING (Z) EDGE OF THE GLASS.  
"LEADING IS SIDE CLOSEST TO LATCH (CLOSED)."**



Roller location on glass with DORMOTION unit		
		XL150/80
Single door	X	3-1/8" [80]
Single door	Z	1-9/16" [40]



(Front of) Glass



(Front of) Glass

**Legend**

Closing edge of door

Torque values	
XL150/80	10ft lbs [14Nm]

Hex key size	
XL150/80	4mm

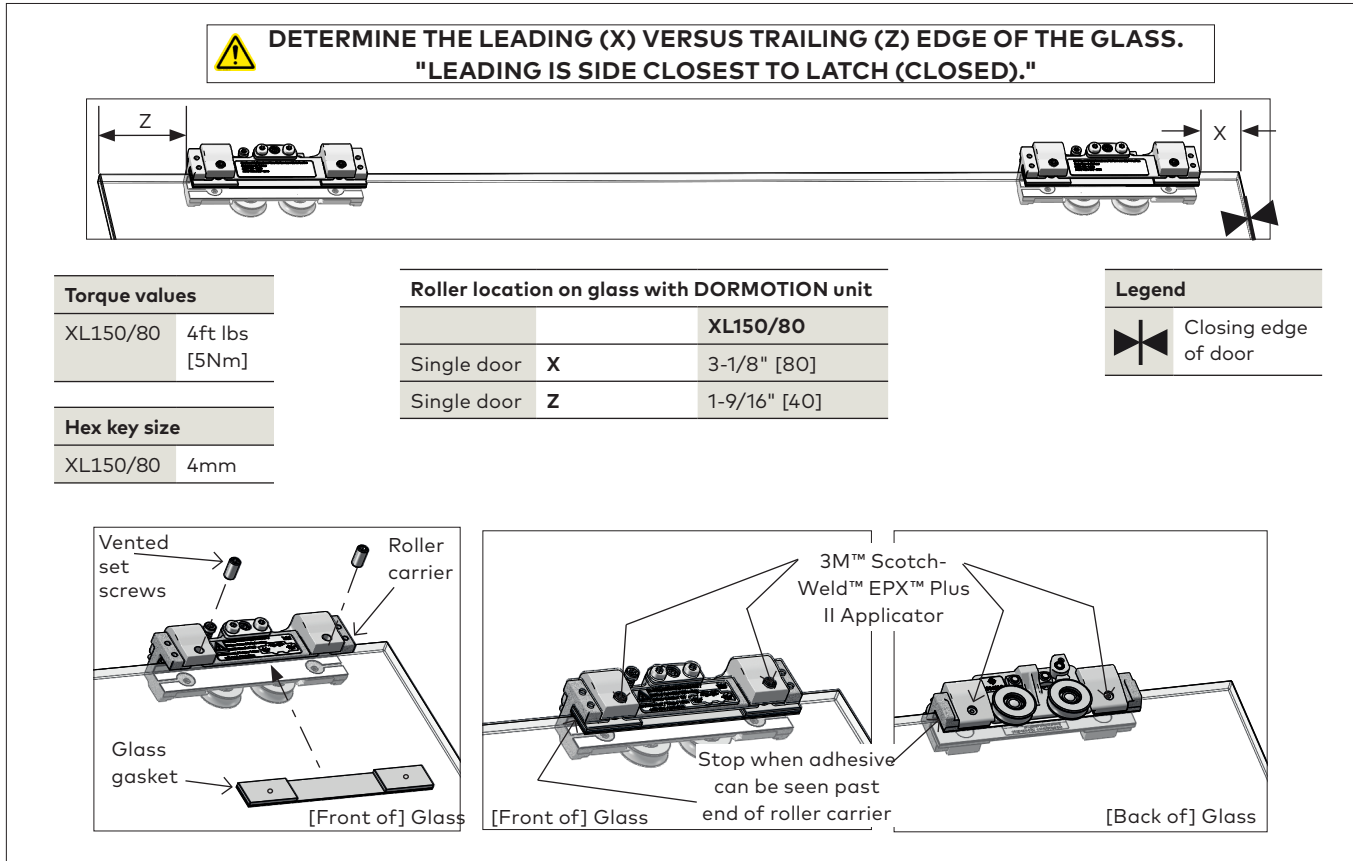
- ⚠ NOTE: FULLY CLEAN SURFACE OF GLASS WITH AN ALCOHOL-BASED MILD GLASS AND SURFACE CLEANER. ENSURE NO DEBRIS IS ON THE GASKET.**
- ⚠ ENSURE GASKET IS FREE OF DEBRIS.**
- ⚠ ENSURE ROLLER CARRIER WHEELS ARE FREE OF DEBRIS.**

- 2.7A.1 Slide roller carriers onto glass.
- 2.7A.2 Slide glass gasket and metal shim between glass and roller carrier.

- NOTE: Orient gasket with rubber side facing the glass.**
- 2.7A.3 Secure roller carriers to glass using appropriate-size hex key at 10ft lbs (14 Nm).

## 2.7B Wall/Ceiling/Sidelite/Glass Mount - installing the roller carriers: on tempered laminate glass

Fig. 14



**⚠ NOTE: THE RECOMMENDED ADHESIVE'S SET-UP TIME IS 20 MINUTES FOR THE DUO-PAK CARTRIDGES.**

**⚠ NOTE: USE 1:1 RATIO PLUNGER WITH THE 3M™ Scotch-Weld™ Urethane Adhesive.**

**⚠ NOTE: FULLY CLEAN SURFACE OF GLASS WITH AN ALCOHOL-BASED MILD GLASS AND SURFACE CLEANER. ENSURE NO DEBRIS IS ON THE GASKET.**

**⚠ ENSURE ROLLER CARRIER WHEELS ARE FREE OF DEBRIS.**

- 2.7B.1 Slide carriers onto glass.
- 2.7B.2 Replace existing gasket with TLG gasket.
- 2.7B.3 Slide laminated glass gasket and metal shim between glass and roller carrier.

**NOTE: Orient gasket with rubber side facing the glass.**

- 2.7B.4 Replace existing set screws with vented set screws.
- 2.7B.5 Tighten vented set screws at 4 ft-lbs [5Nm].

**NOTE: Onto scrap material, first dispense approximately 12" of 3M™ Scotch-Weld™ Urethane Adhesive prior to application to prevent mixing errors and ensure optimal hardening.**

- 2.7B.6 Dispense adhesive into vented set screws on both sides of carrier.

**⚠ Stop application when adhesive can be seen past edge of roller carrier.**

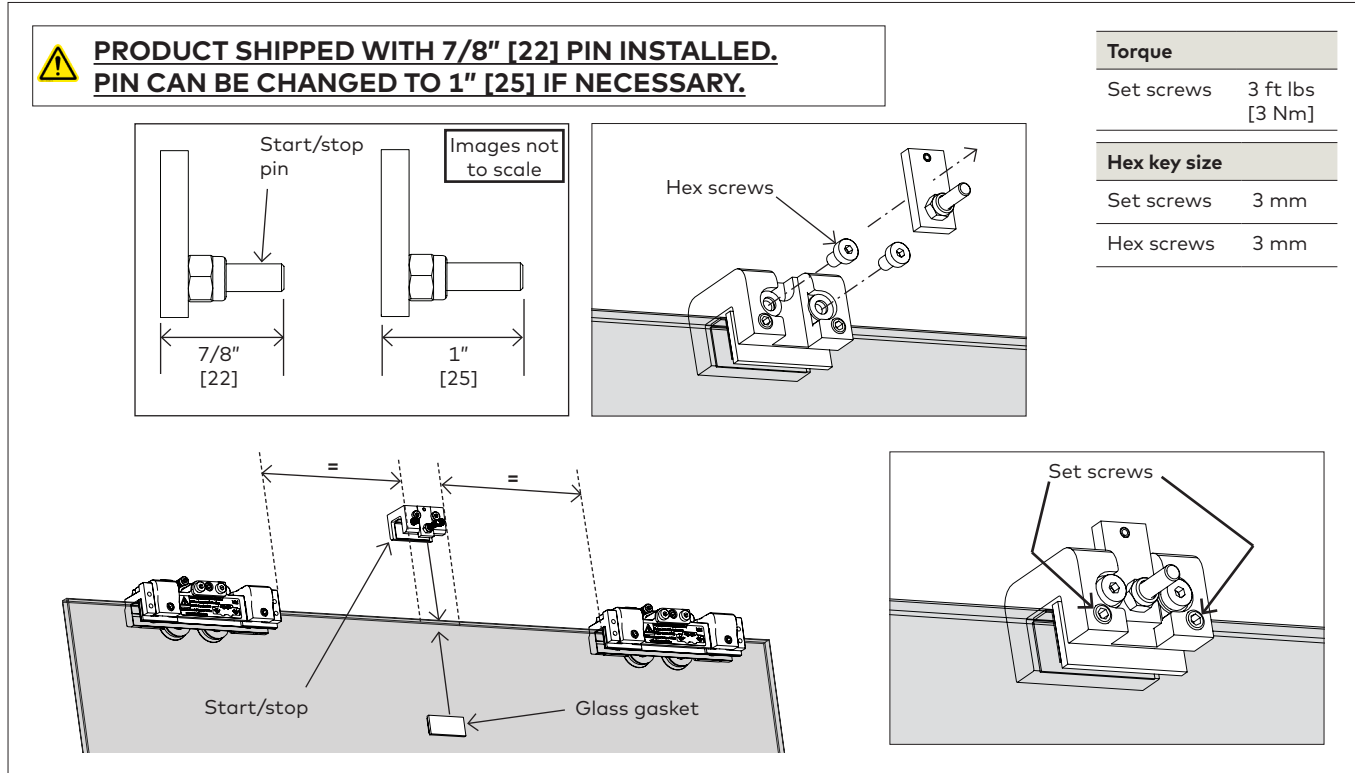
**⚠ DO NOT WIPE** any excess adhesive from glass surface. Allow adhesive to dry and scrape off glass surface with a beveled-edge chisel or putty knife.

**NOTE: Keep glass flat during curing process.**

**NOTE: See chart in Specifications section for appropriate curing time.**

## 2.8 Wall/Ceiling/Sidelite/Glass Mount - install Dormotion start/stop

Fig. 15



**NOTE:** Determine a pin length based upon how square and plumb the opening is.

2.8.1 If required, change pin in start/stop assembly.

- Remove hex screws.
- Remove existing pin and plate.
- Swap in appropriate pin and plate.
- Replace hex screws.

2.8.2 Slide start/stop onto glass.

2.8.3 Center equally between the carriers.

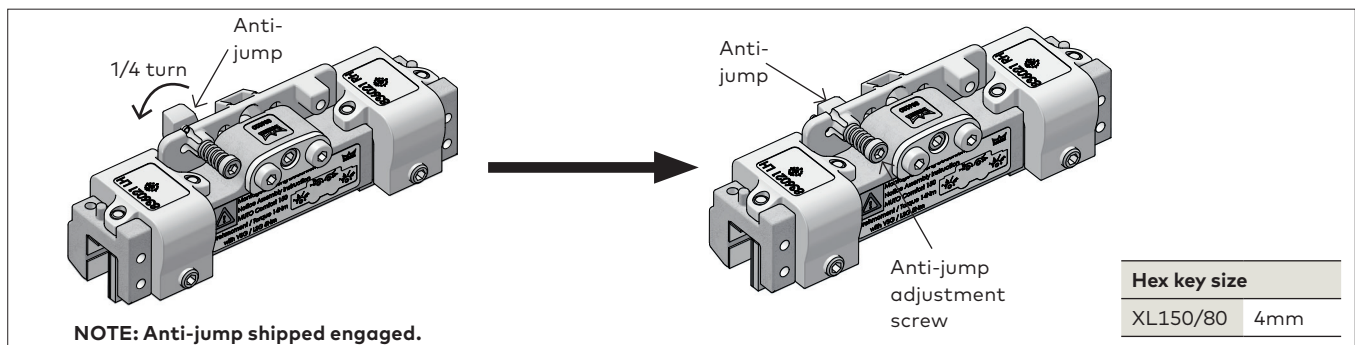
2.8.4 Slide glass gasket between start/stop and glass.

**NOTE:** Orient with gasket facing glass.

2.8.5 Secure start/stop via set screws.

## 2.9 Wall/Ceiling/Sidelite/Glass Mount - disengaging the anti-jump

Fig. 16

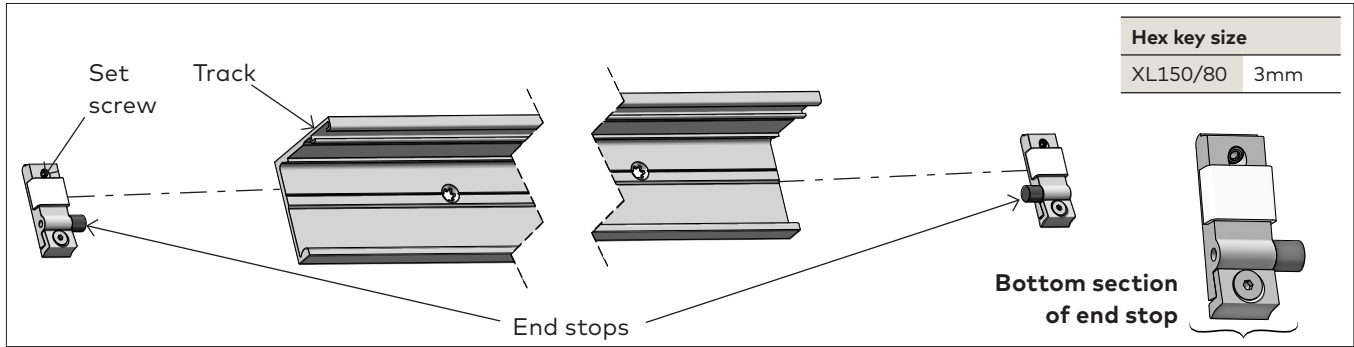


2.9.1 Disengage the anti-jump on roller carrier.

**NOTE:** Using an appropriate-size hex key, push anti-jump adjustment screw **IN** and turn **COUNTER-CLOCKWISE** to disengage anti-jump.

## 2.10 Wall/Ceiling/Sidelite/Glass Mount - installing the end stops

Fig. 17



2.10.1 Slide end stops into each end of the track.  
**NOTE: Loosen bottom section of end stop for easier install.**

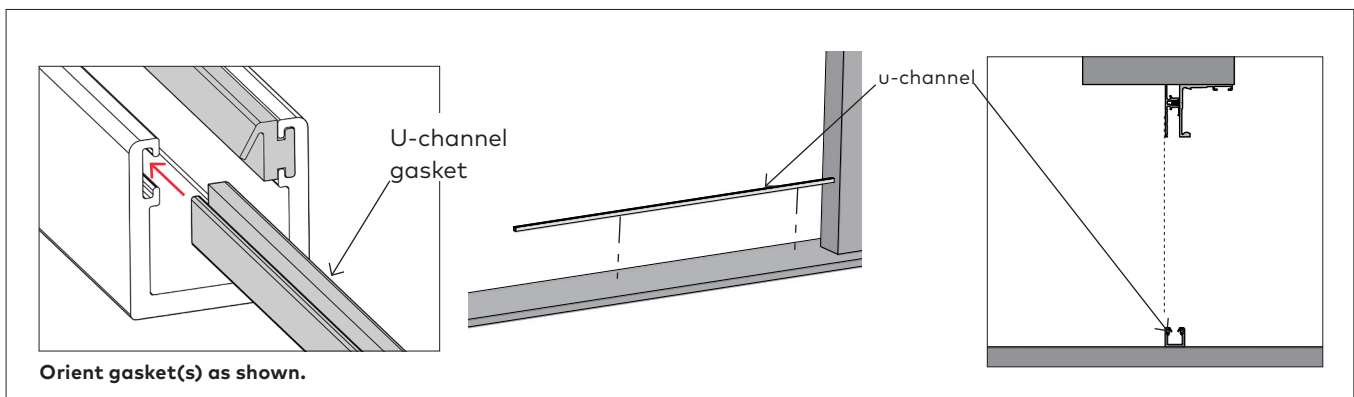
**NOTE: FOR XL150 end stops, be sure set screw is flush with back of bumper.**

**NOTE: Exact location/adjustments will be determined in "Adjustment End Stop Location" step.**

**If application contains a sidelite, following steps 2.11 through 2.14.  
If applications does not contain a sidelite, skip to step 2.15.**

## 2.11 Sidelite Mount - installing u-channel

Fig. 18

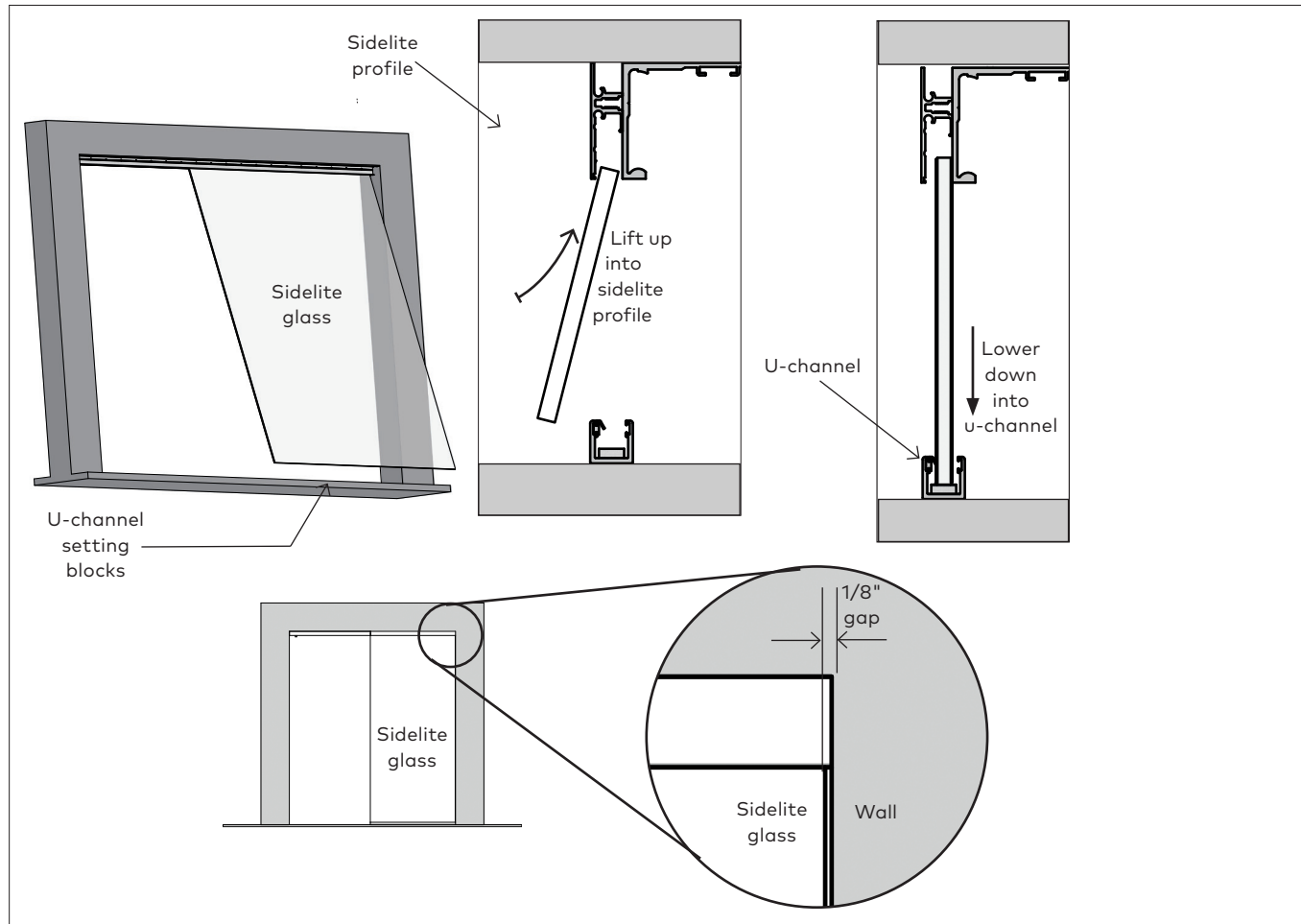


- 2.11.1 Install gaskets as shown. Trim to correct length.
- 2.11.2 Secure u-channel to floor using appropriate fasteners.

**NOTE: Ensure u-channel is plumb and the back of the u-channel profile aligns with back of sidelite profile.**

## 2.12 Sidelite Mount - installing sidelite glass

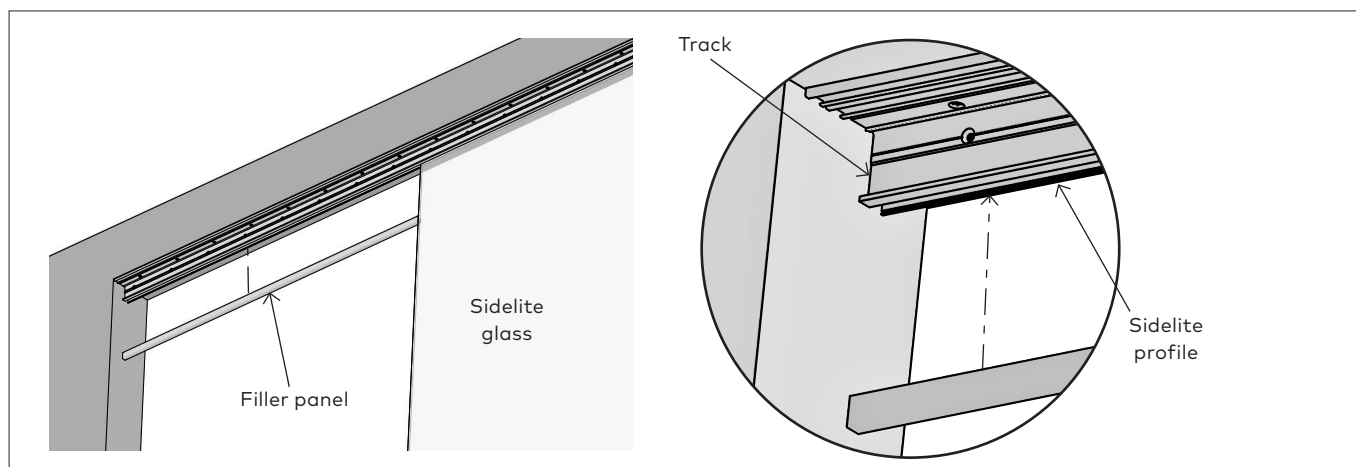
Fig. 19



- |   |  |
|---|--|
| <p>2.12.1 Place setting blocks into u-channel.<br/>                 2.12.2 Spray inside of u-channel with glass cleaner.<br/>                 2.12.3 Lift glass up and into sidelite profile.<br/>                 2.12.4 Lower glass into u-channel.</p> | <p>2.12.5 Ensure there is 1/8" [3] gap between wall and edge of sidelite glass.<br/>                 2.12.6 If using tempered laminated glass, gently press glass against u-channel gasket, and dispense silicone along full length of non-gasket side of u-channel.</p> |
|---|--|

## 2.13 Sidelite Mount - installing sidelite glass filler panel

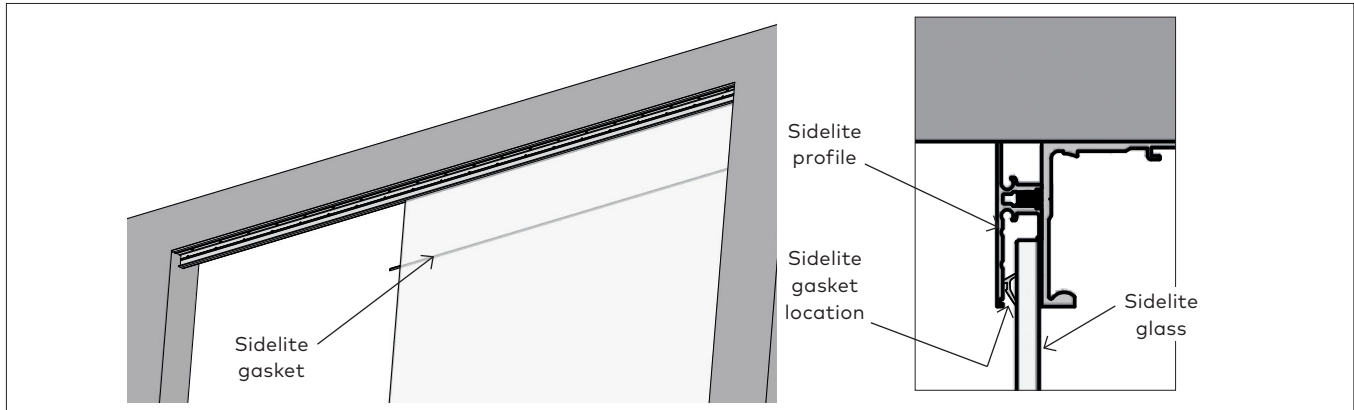
Fig. 20



- 2.13.1 Fit filler panel between track and sidelite profile, on door side.

## 2.14 Sidelite Mount - installing sidelite glass gasket

Fig. 21

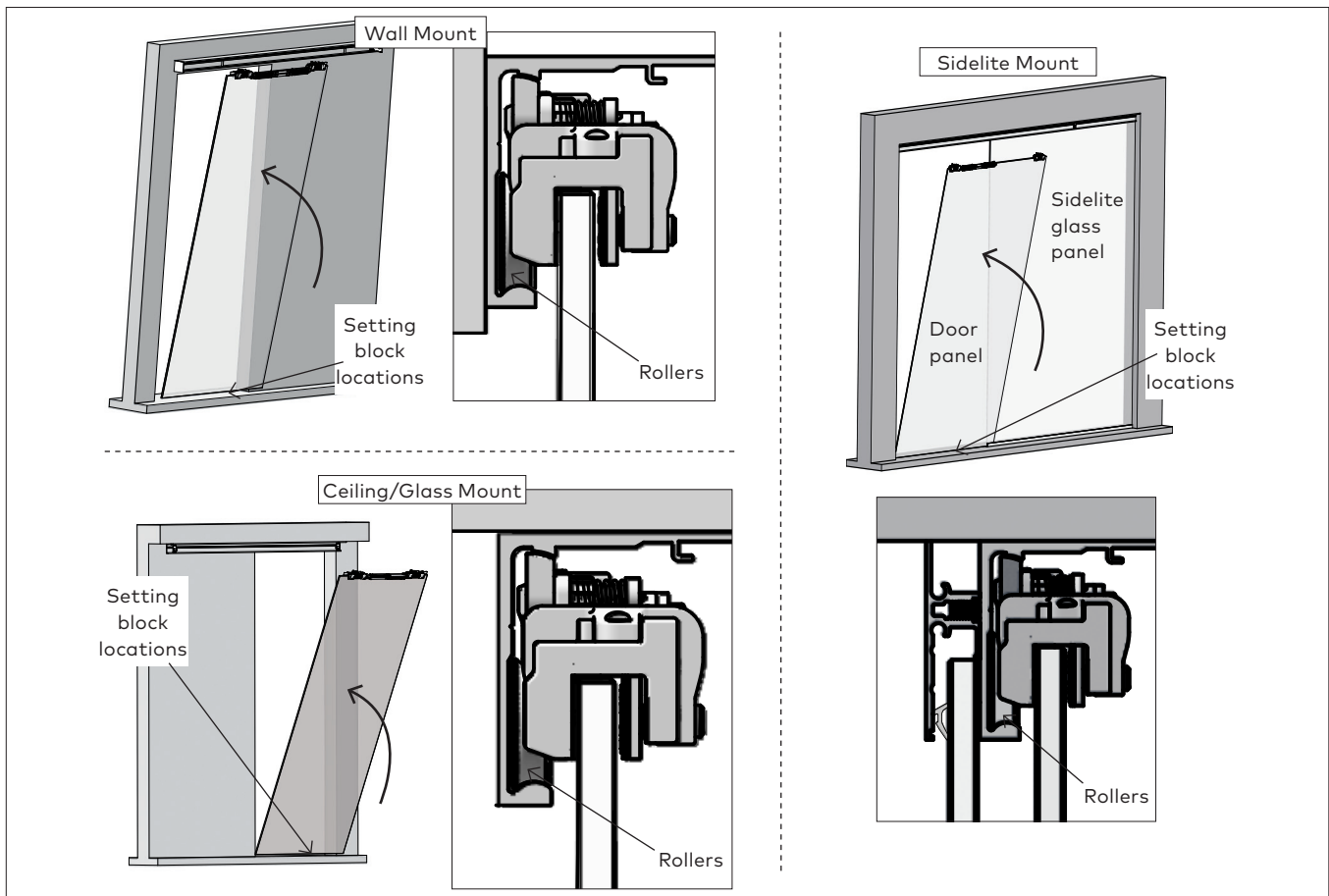


2.14.1 Cut gasket to length.

2.14.2 Press gasket in between sidelite glass and sidelite profile.

## 2.15 Wall/Ceiling/Sidelite/Glass Mount - install glass/rollers in track

Fig. 22



**⚠ ENSURE ROLLERS AND TRACK ARE FREE OF DEBRIS.**

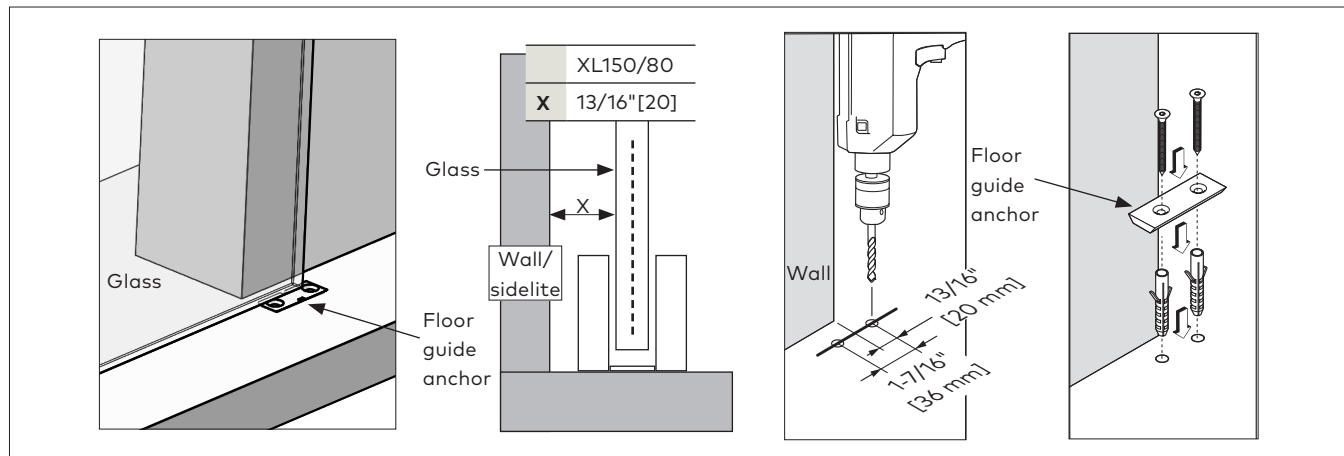
2.15.1 Place glass on setting blocks on floor for stability.

2.15.2 Tip glass and rollers upward and rest rollers on track.



## 2.16 Wall/Ceiling/Sidelite/Glass Mounts - install floor guide

Fig. 23



### REMEMBER ANTI-JUMP IS DISENGAGED!

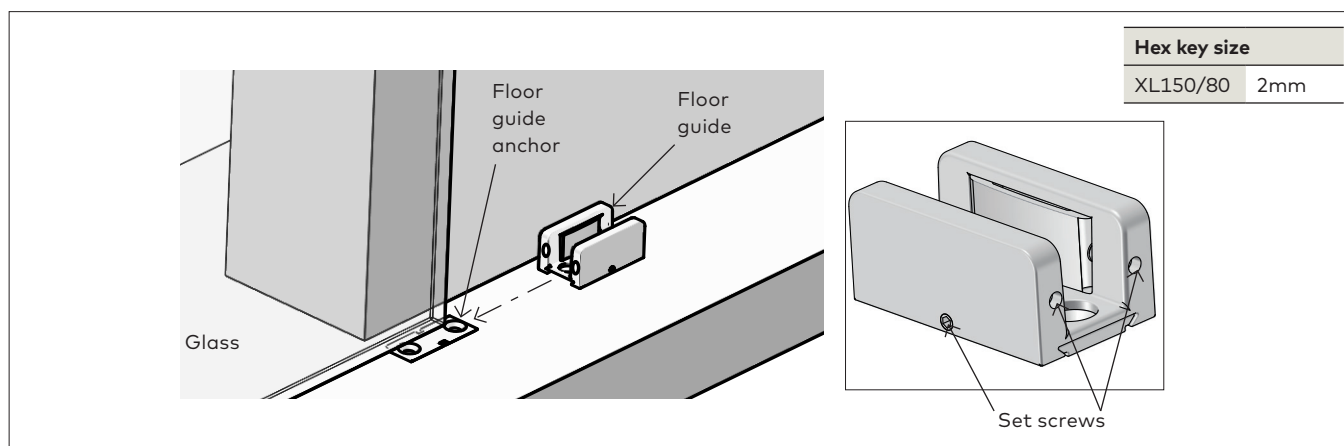
- 2.16.1 Align centerline of glass with centerline of floor guide.
- 2.16.2 Be sure glass is plumb.
- 2.16.3 Mark appropriate floor guide measurements.

### 2.16.4 TEMPORARILY REMOVE GLASS AND ROLLERS FROM TRACK (TO ALLOW FOR DRILLING SPACE.)

- 2.16.5 Pre-drill into mounting surface using a 5/16" drill bit.
- 2.16.6 Secure floor guide anchor with included fasteners.

## 2.17 Wall/Ceiling/Sidelite/Glass Mounts - install floor guide: continued

Fig. 24



### 2.17.1 SET GLASS AND ROLLERS ONTO TRACK.

- 2.17.2 Slide floor guide over floor guide anchor and tighten with set screws.

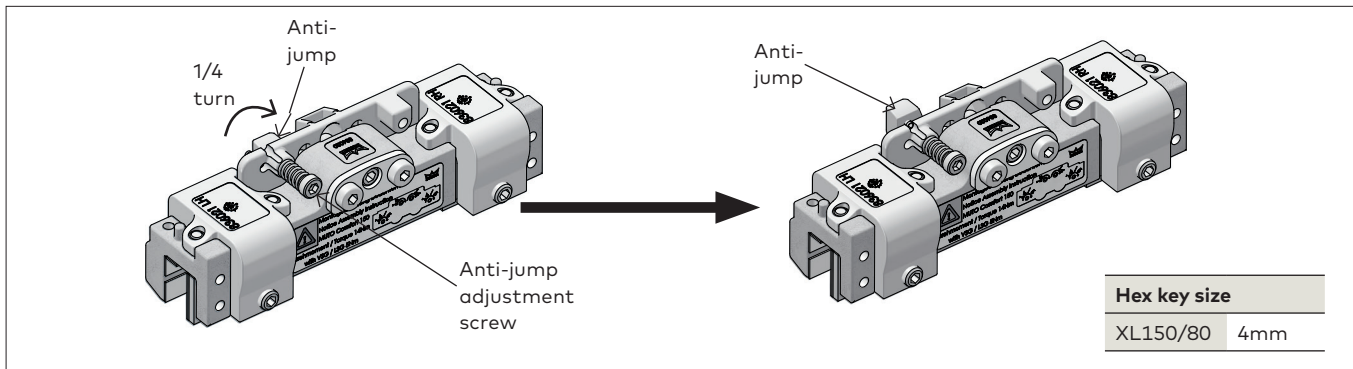
### 2.17.3 Remove setting blocks.

**NOTE: Be sure glass is centered in floor guide.**

- 2.17.4 Tighten set screws.

## 2.18 Wall/Ceiling/Sidelite/Glass Mounts - Engaging the anti-jump

Fig. 25

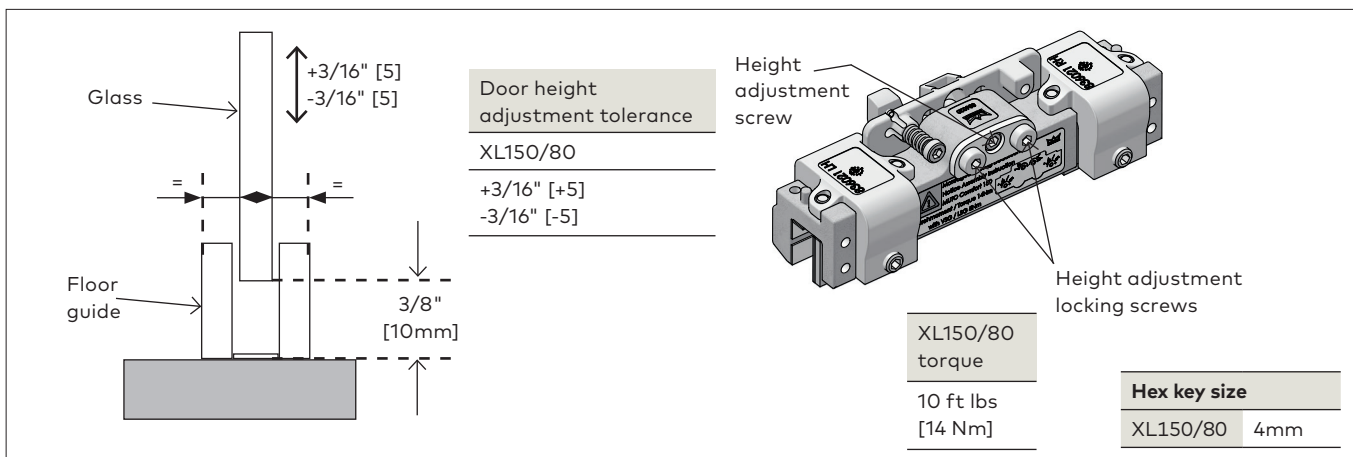


2.18.1 Engage anti-jump on roller carrier.

2.18.2 Using appropriate-size hex key, push anti-jump adjustment screw IN and turn **CLOCKWISE** 90° to **engage** anti-jump.

## 2.19 Wall/Ceiling/Sidelite/Glass Mounts - adjustment door height

Fig. 26



2.19.1 Set height of glass door.

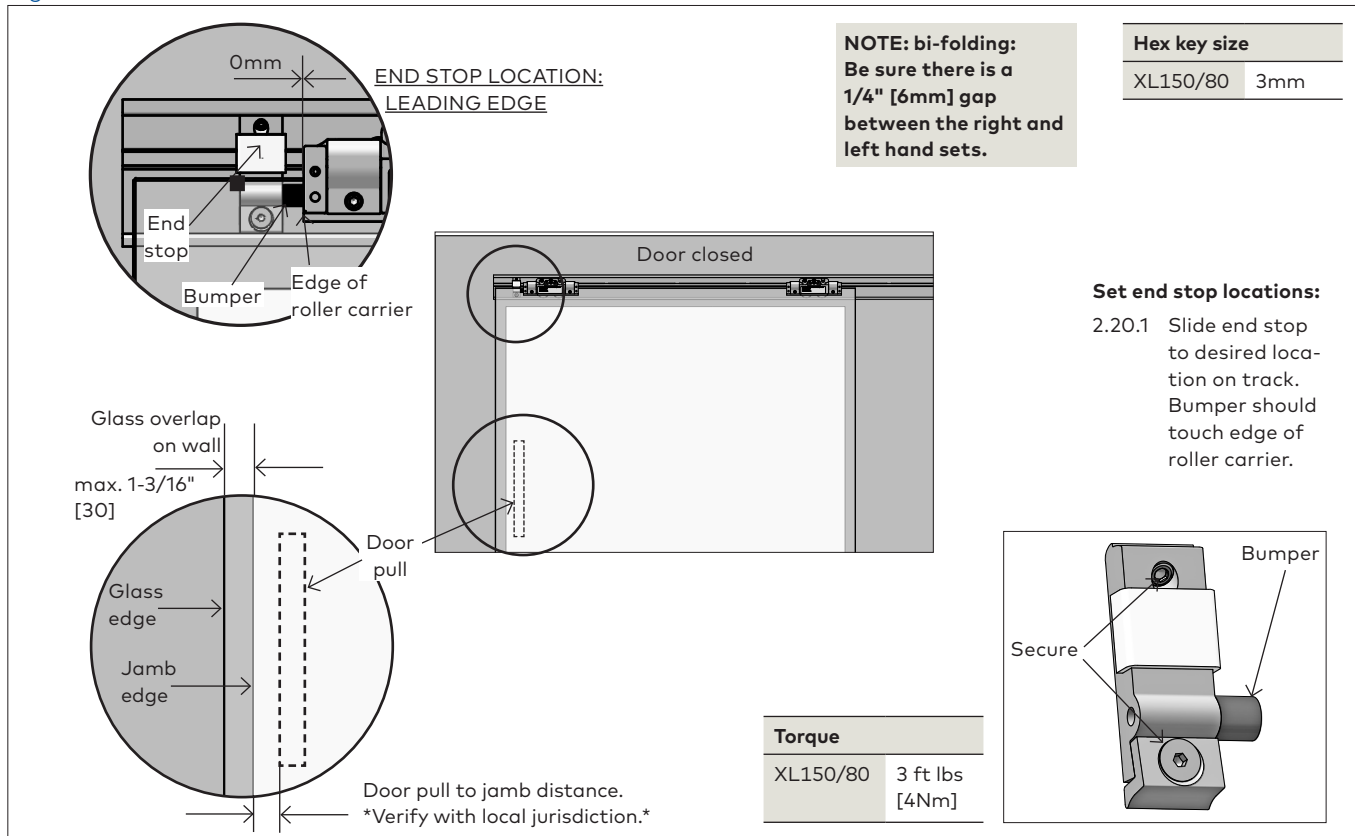
2.19.2 Loosen height adjustment locking screws of carrier.

2.19.3 Using appropriate-size hex key, turn height adjustment screw **CLOCKWISE** or **COUNTER-CLOCKWISE** to raise or lower glass.

**NOTE: Be sure glass is level during this adjustment.**

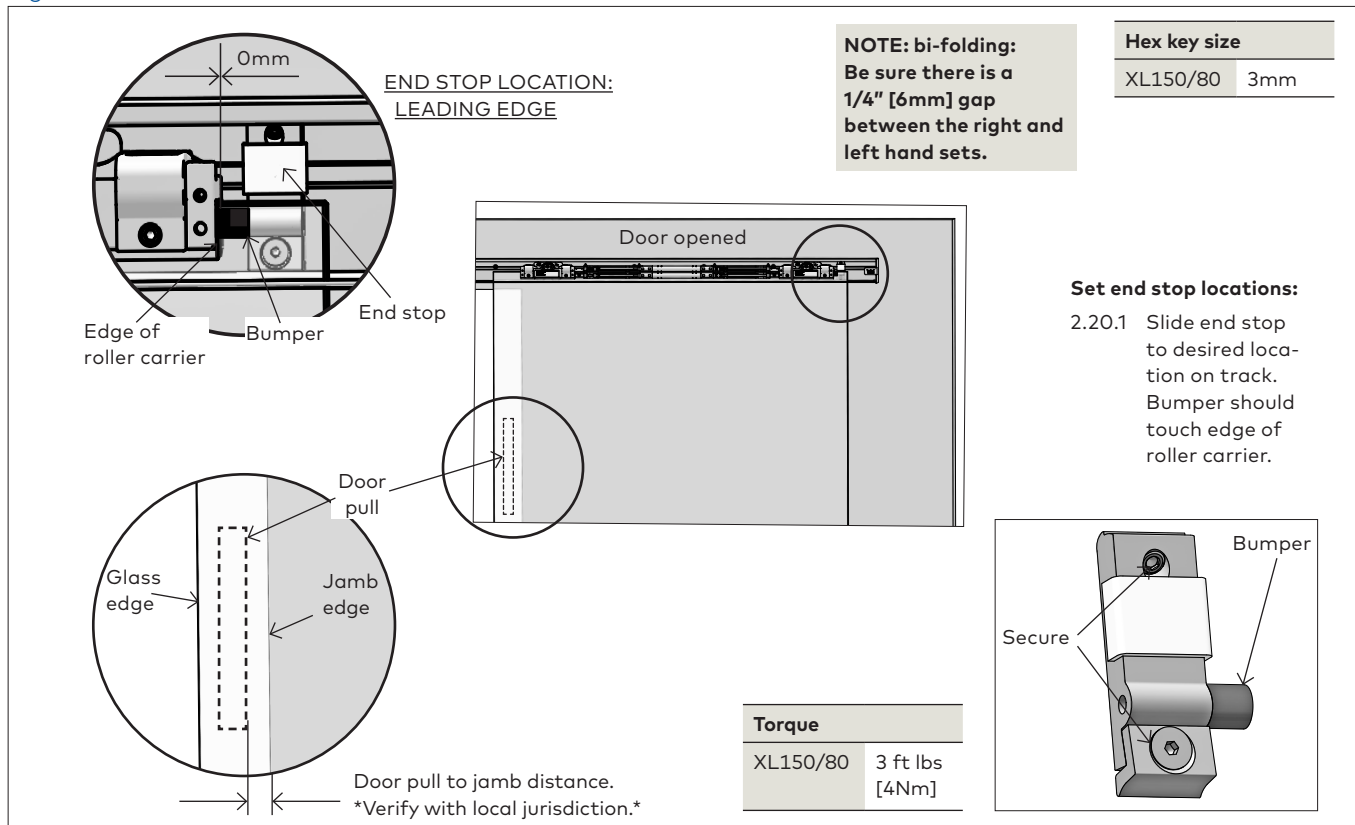
## 2.20 Wall/Ceiling/Sidelite/Glass Mounts - Adjustment end stop location: LEADING END STOP

Fig. 27



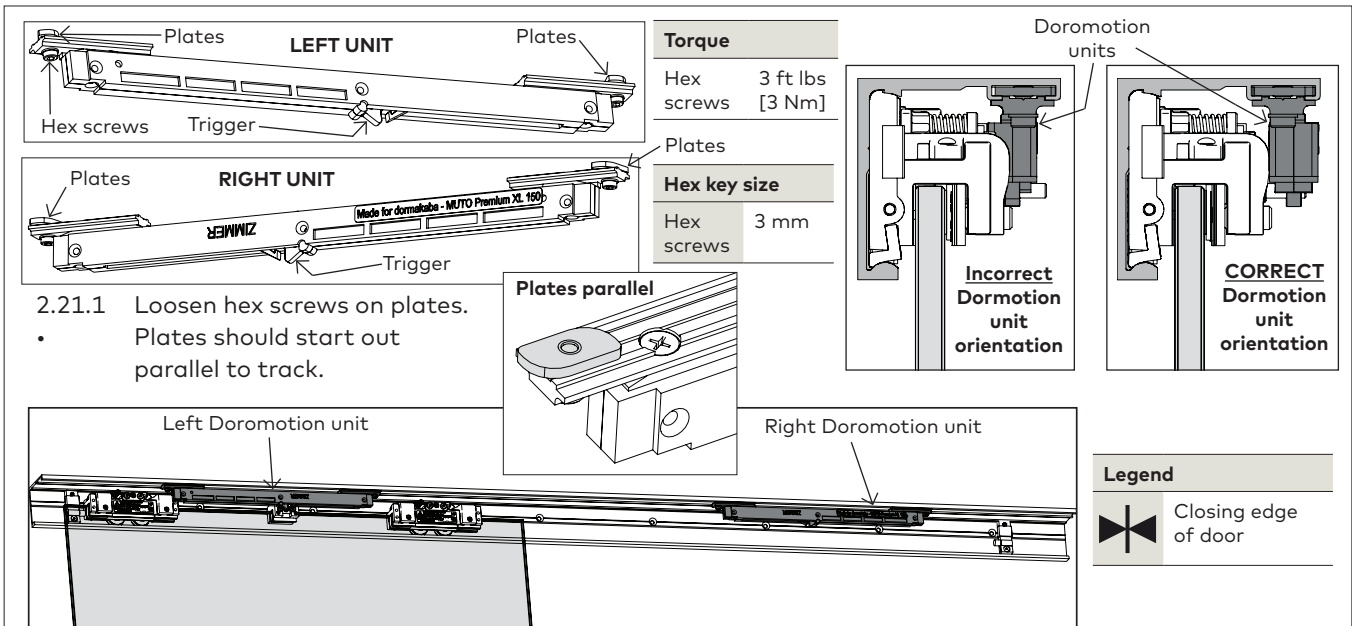
## Adjustment end stop location: TRAILING END STOP

Fig. 28



## 2.21 Wall/Ceiling/Sidelite/Glass Mounts - install DORMOTION unit

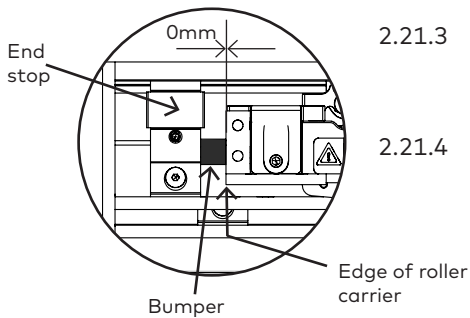
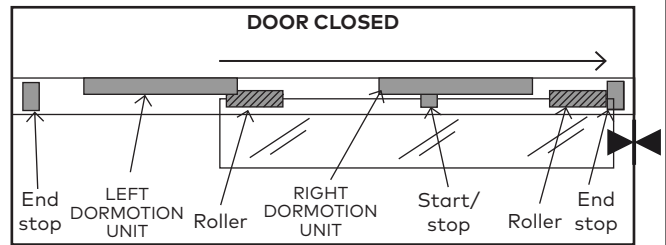
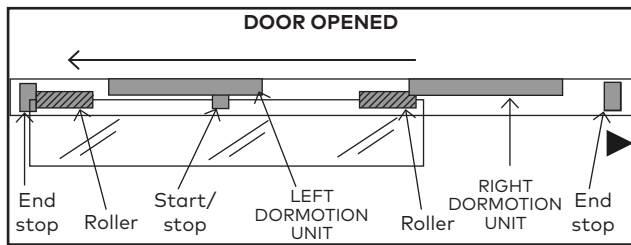
Fig. 29



2.21.1 Loosen hex screws on plates.  
Plates should start out parallel to track.

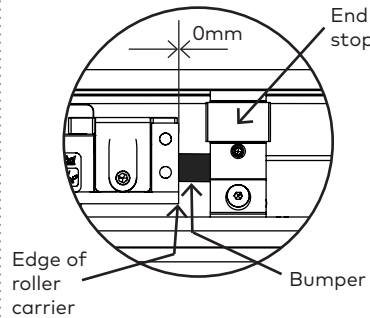
2.21.2 Place appropriate DORMOTION unit into each end of the track channel, in general locations.

### LOCATING THE DORMOTION UNIT



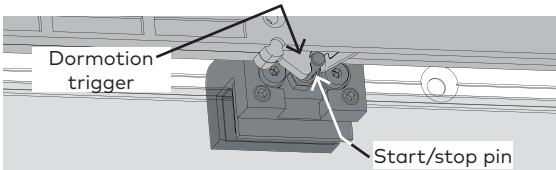
2.21.3 Slide door all the way OPEN.

2.21.4 Carrier should touch end stop.

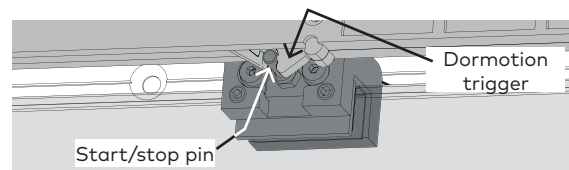
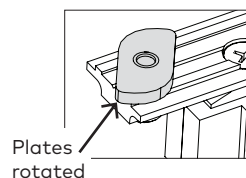


2.21.3 Slide door all the way CLOSED.

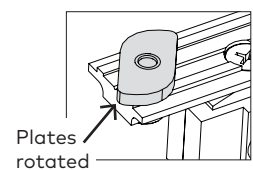
2.21.4 Carrier should touch end stop.



2.21.5 Slide Dormotion unit over until trigger aligns with start/stop pin.  
2.21.6 Rotate plates inside track to engage.  
2.21.7 Tighten hex screws with 3 ft lbs [3Nm] of torque.

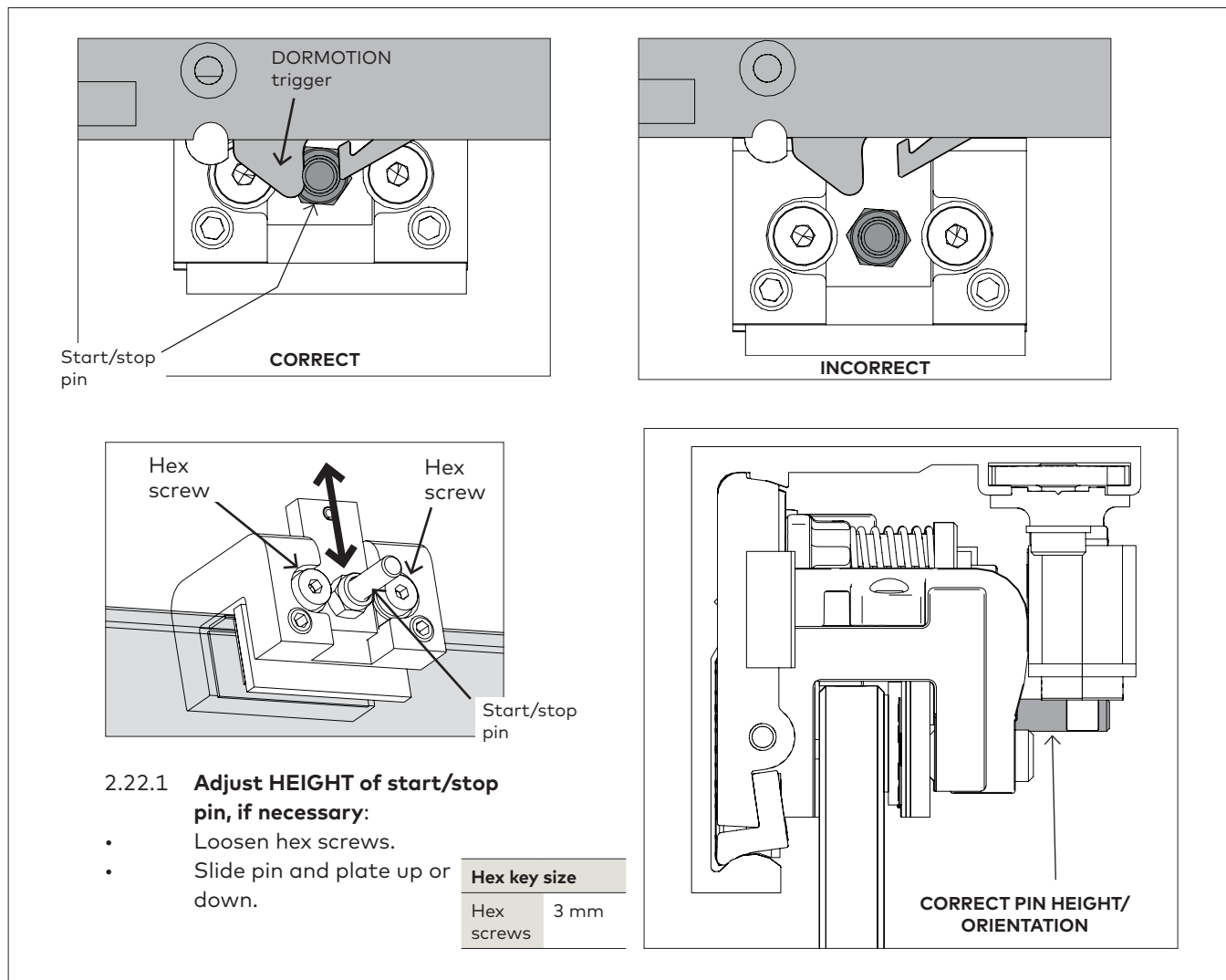


2.21.5 Slide Dormotion unit over until trigger aligns with start/stop pin.  
2.21.6 Rotate plates inside track to engage.  
2.21.7 Tighten hex screws with 3 ft lbs [3Nm] of torque.



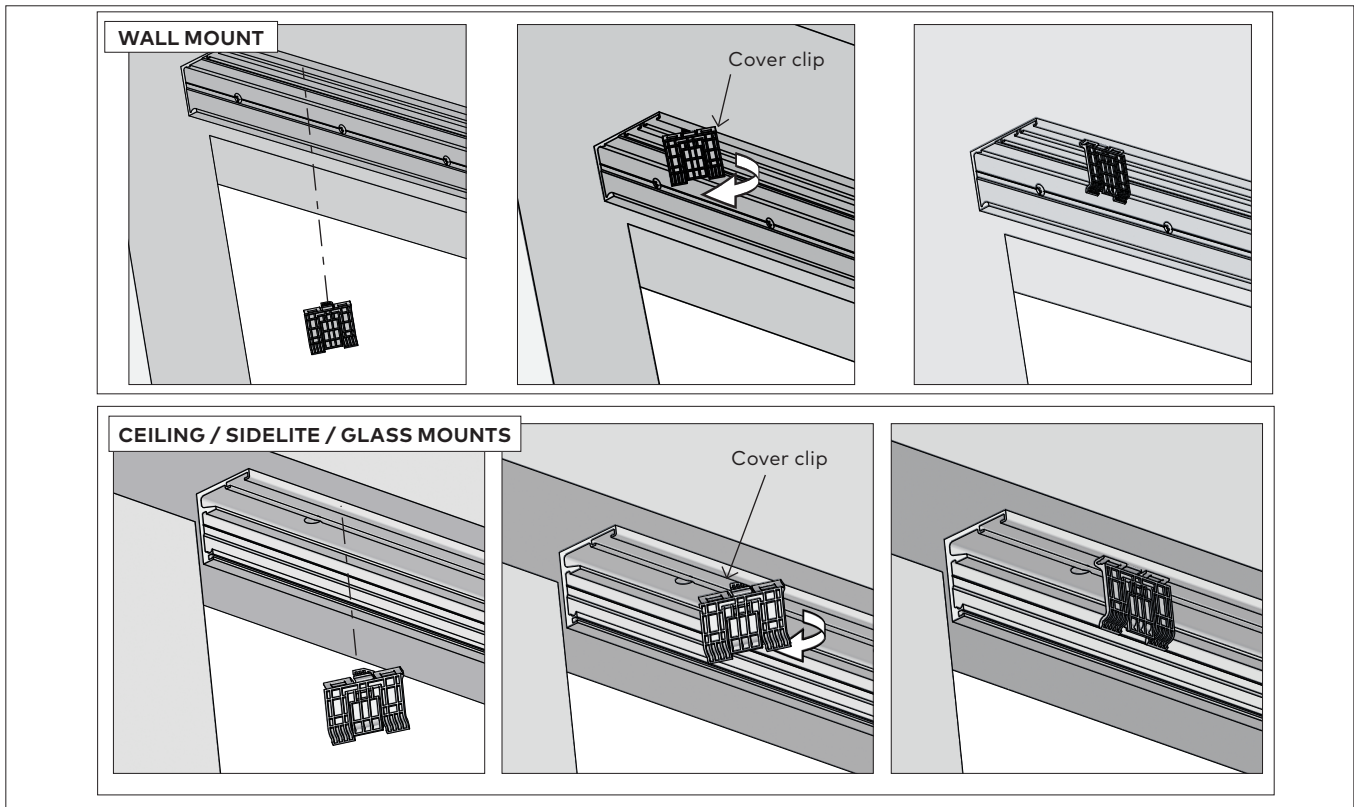
## 2.22 Wall/Ceiling/Sidelite/Glass Mounts - adjust start/stop pin height (if necessary)

Fig. 30



## 2.23 Wall/Ceiling/Sidelite/Glass Mounts - install cover clips

Fig. 31

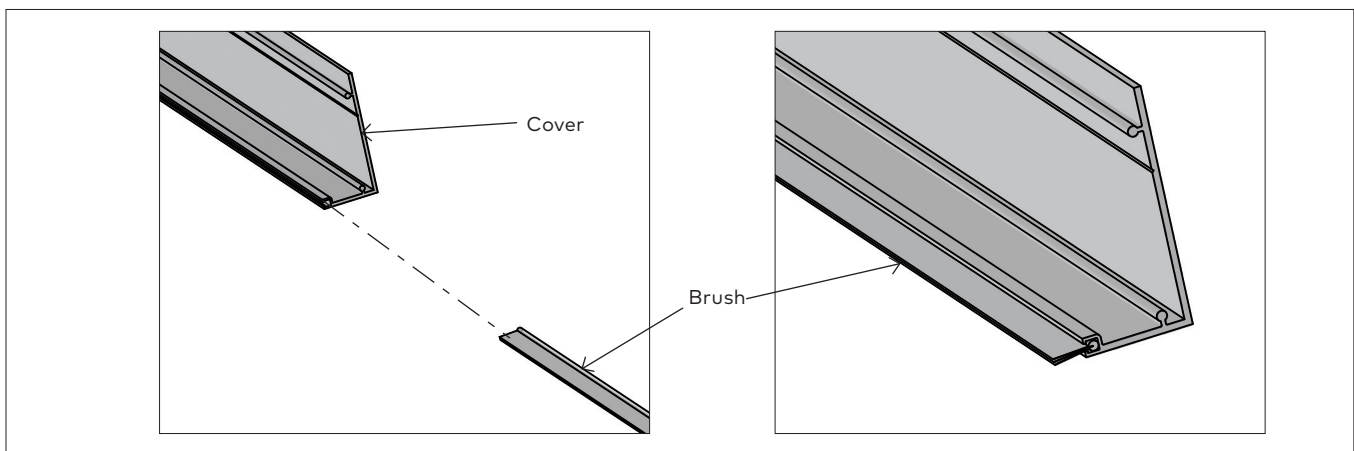


2.23.1 Insert cover clips into track. (One clip per foot)

2.23.2 Insert perpendicular to track, and turn **CLOCKWISE** to snap into place.

## 2.24 Wall/Ceiling/Sidelite/Glass Mount - install brush profile

Fig. 32

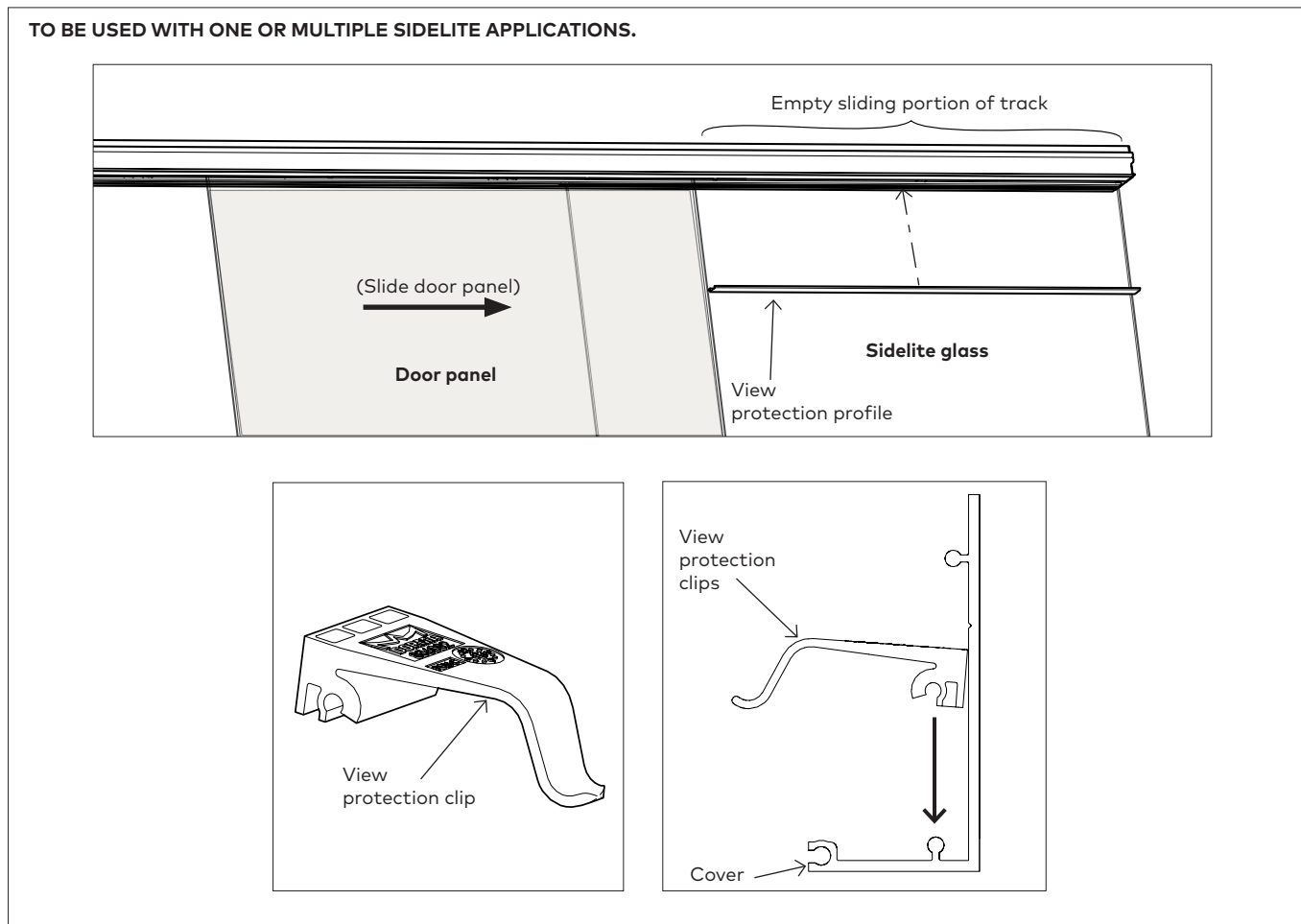


2.24.1 Measure and cut brush to appropriate length.

2.24.2 Slide brush into cover.

## 2.25 Sidelite Mounts - install view protection clips

Fig. 33



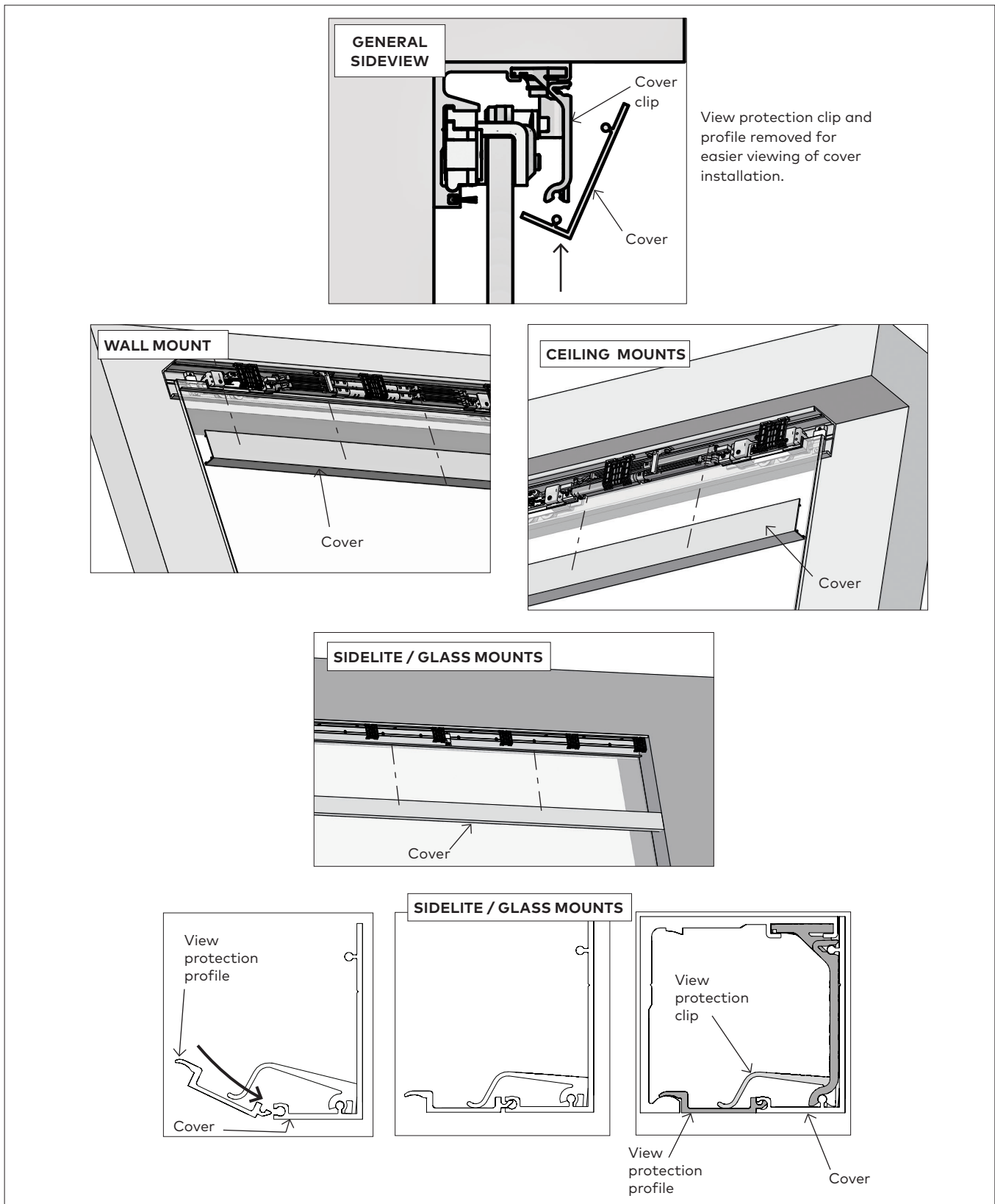
- 2.25.1 Slide door open until it meets the end stop.
- 2.25.2 Measure and cut view protection profile to fit into empty sliding portion of track - 3/16" [5].
- 2.25.3 Snap view protection clips onto inside of cover as shown.

- 2.25.4 Use minimum 1 clip per foot of profile.

**Exception: If profile is minimum of 1 foot in length, use 2 clips.**

## 2.26 Wall/Ceiling/Sidelite/Glass Mounts - install cover and view protection profile

Fig. 34



2.26.1 Secure cover to clips and snap into place.

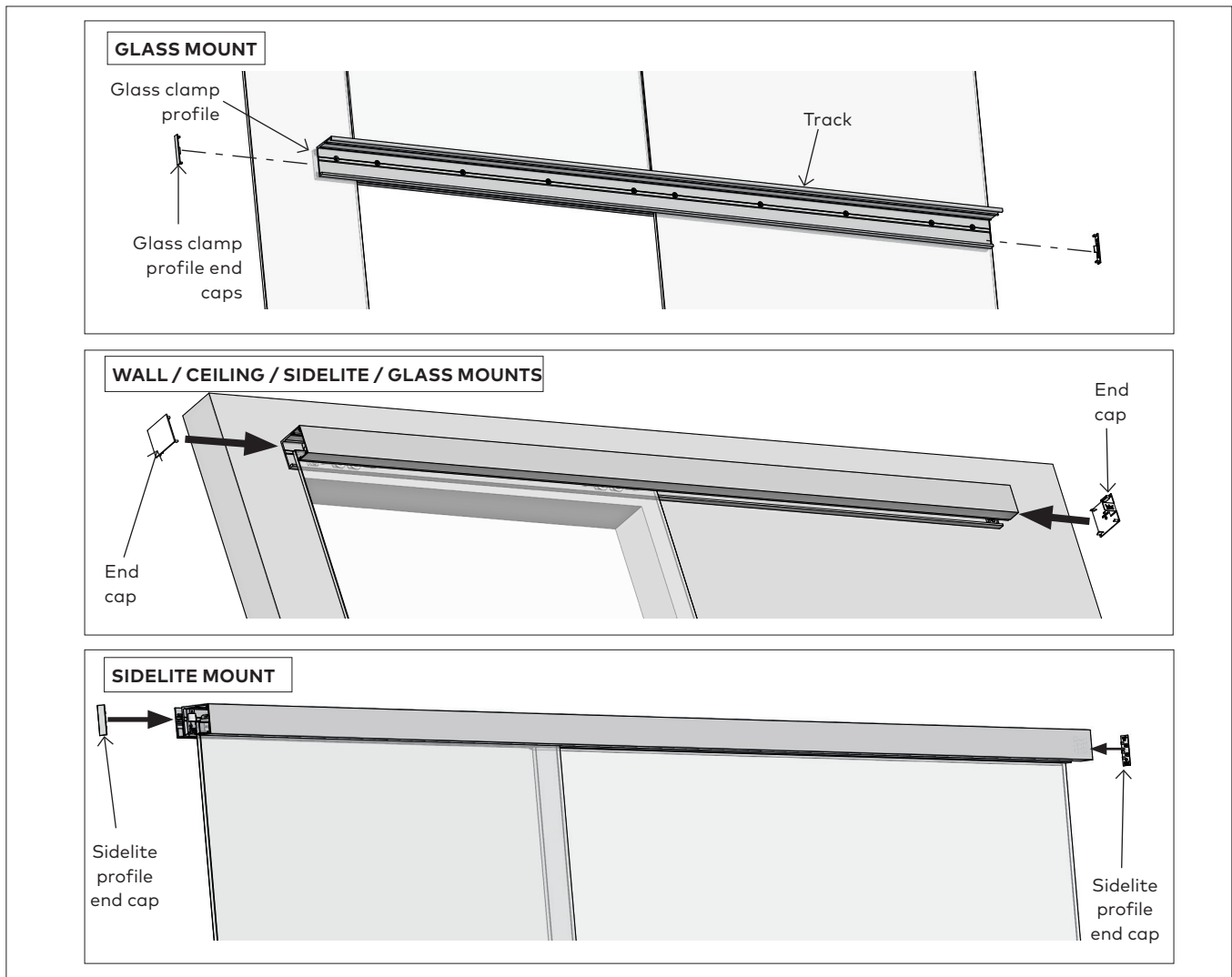
**NOTE:** Roll cover from the bottom upwards. Ensure the bottom of the cover is supported by the groove in the cover clip.

2.26.2 Tip view protection profile up into track and snap down into cover and onto track as shown.



## 2.27 Wall/Ceiling/Sidelite/Glass Mounts - install end caps

Fig. 35



2.27.1 Snap end caps onto track.

**Glass mount only:**

2.27.2 Slide glass clamp profile end caps into ends of glass clamp profile.

